

Nikkor Lenses

for Large-Format Cameras



Wider Selection—S



me Nikkor Quality

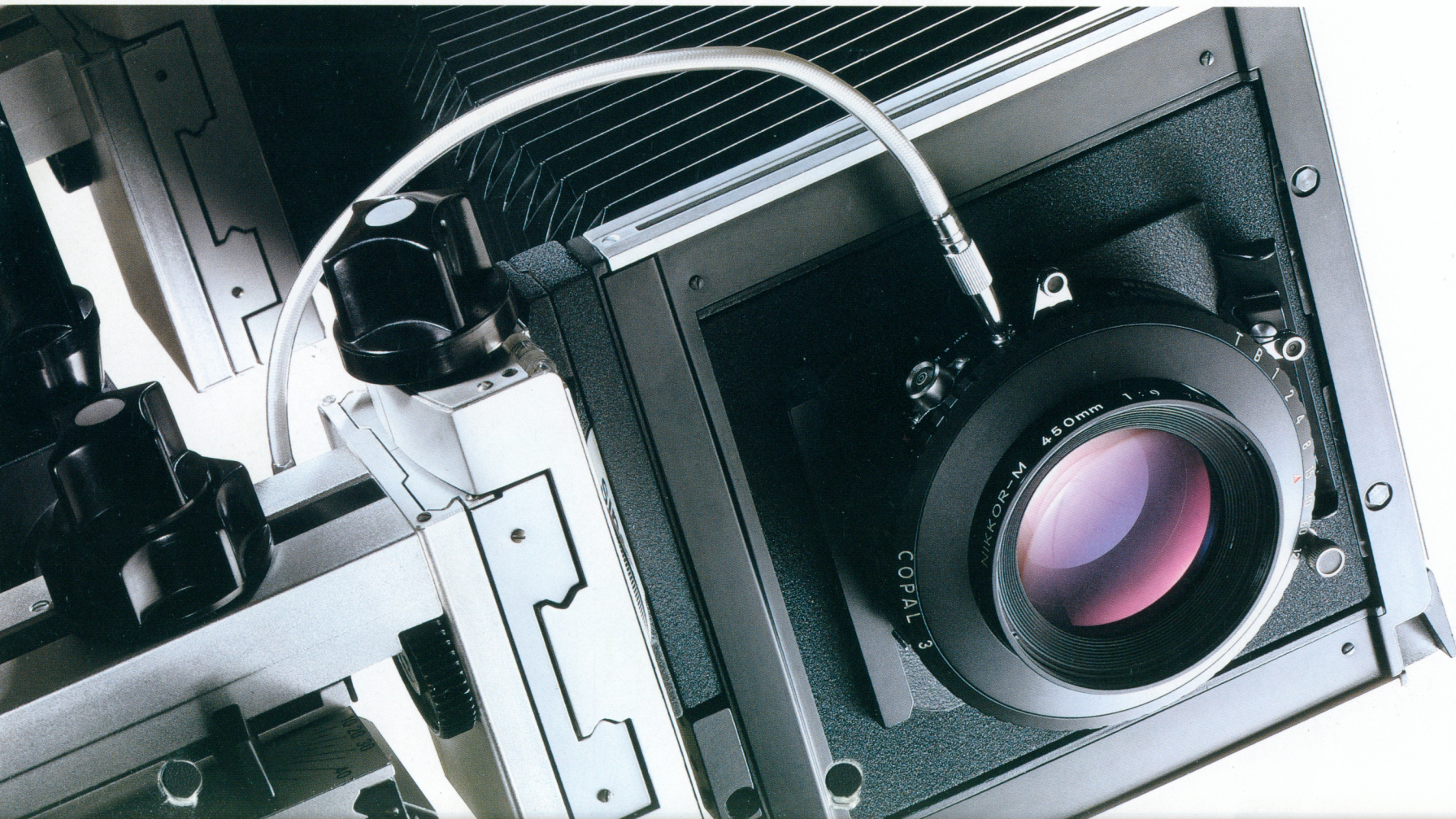


Nikkor lenses for large-format cameras are available in 15 types with focal lengths extending from 65mm to 450mm. They include the bright SW Series for wide covering power, the versatile W Series, and the M Series for standard coverage. Each lens is strictly corrected for distortion, curvature of field and chromatic aberration, and is given an exclusive Nikon Integrated Coating (NIC) to eliminate flare and ghosting. The result is clear, high-contrast images and enhanced color reproduction.

M Series

Nikkor-M Series

The M series has standard covering power. The 300mm F9 and 450mm F9 employ the same optical system used in the Apo-Nikkor, a lens which meets the stringent standards of reproduction and photoengraving applications. Chromatic aberrations are corrected for the entire visible portion of the spectrum, and faithful reproduction of subtle variations in color are assured. Resolution, of course, is high, and aberrations have been corrected.



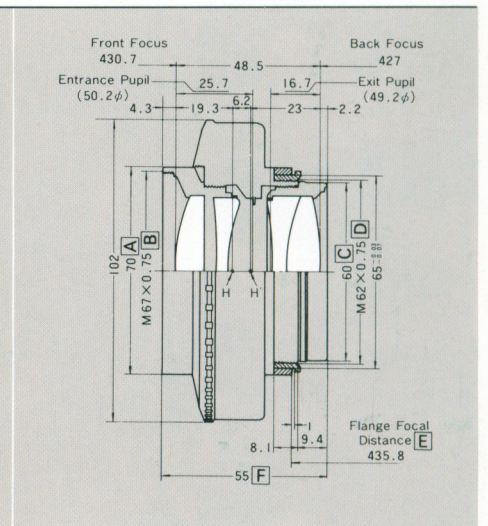
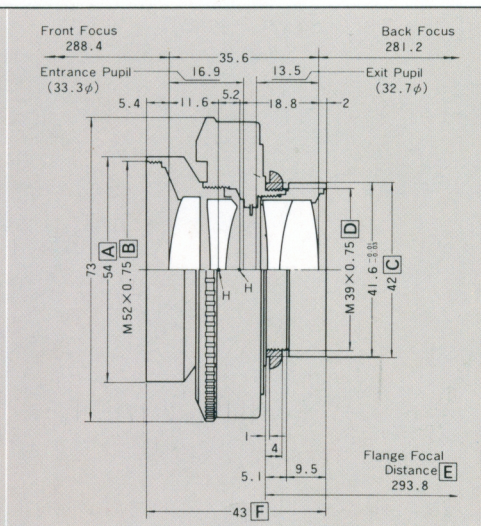
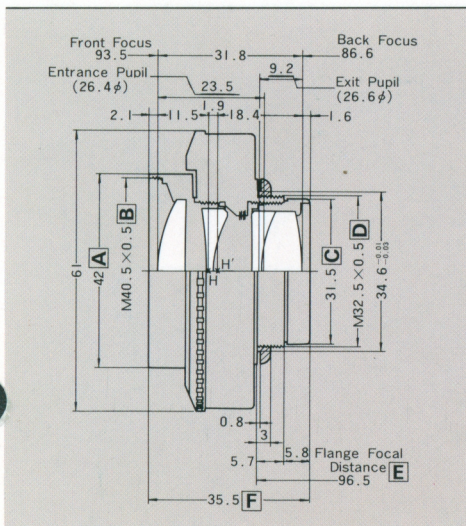
105mm F3.5

300mm F9

450mm F9



Nikkor-M 105mm F3.5		Nikkor-M 300mm F9		Nikkor-M 450mm F9	
Focal length	105mm	Focal length	300mm	Focal length	450mm
Maximum aperture ratio	1:3.5	Maximum aperture ratio	1:9	Maximum aperture ratio	1:9
Minimum aperture	f/45	Minimum aperture	f/128	Minimum aperture	f/128
Lens construction	4 elements in 3 groups	Lens construction	4 elements in 3 groups	Lens construction	4 elements in 3 groups
Covering power (f/3.5)	51°	Covering power (f/9)	55°	Covering power (f/9)	50°
Covering power (f/22)	55°	Covering power (f/22)	57°	Covering power (f/22)	52°
Image circle (f/3.5)	100mmφ	Image circle (f/9)	312mmφ	Image circle (f/9)	420mmφ
Image circle (f/22)	110mmφ (60mm x 90mm)	Image circle (f/22)	325mmφ (8" x 10")	Image circle (f/22)	440mmφ (10" x 12")
Shutter	No. 0 (Copal®*)	Shutter	No. 1 (Copal®*)	Shutter	No. 3 (Copal®*)
Shutter speed	1—1/500 sec., T, B	Shutter speed	1—1/400 sec., T, B	Shutter speed	1—1/125 sec., T, B
Sync socket	X-contact	Sync socket	X-contact	Sync socket	X-contact
Front mount size A	42mmφ	Front mount size A	54mmφ	Front mount size A	70mmφ
Attachment size B	40.5mmφ x 0.5mm (P)	Attachment size B	52mmφ x 0.75mm (P)	Attachment size B	67mmφ x 0.75mm (P)
Rear mount size C	31.5mmφ	Rear mount size C	42mmφ	Rear mount size C	60mmφ
Flange attachment size D	32.5mmφ x 0.5mm (P)	Flange attachment size D	39mmφ x 0.75mm (P)	Flange attachment size D	62mmφ x 0.75mm (P)
Flange focal distance E	96.5mm	Flange focal distance E	293.8mm	Flange focal distance E	435.8mm
Overall length F	35.5mm	Overall length F	43mm	Overall length F	55mm
Weight	170g	Weight	290g	Weight	640g



*Designed exclusively for Nikon. "Copal" is the registered trademark of Copal Co., Ltd., Tokyo, Japan.

Nikkor-SW Series

Wide covering power and wide image circle characterize these new Nikkor lenses for large format cameras in the SW series. Maximum apertures of f/4 and f/4.5 mean that focusing is bright and easy, and covering power can be further extended (up to 105° ~ 106°) by stopping the lens down. Like all Nikkors, each lens in the series exhibits high contrast, reduced flare, and excellent color rendition, thanks to Nikon Integrated Coating. Each lens also delivers high resolution, and aberrations have been strictly controlled.

SW series



65mm F4



75mm F4.5

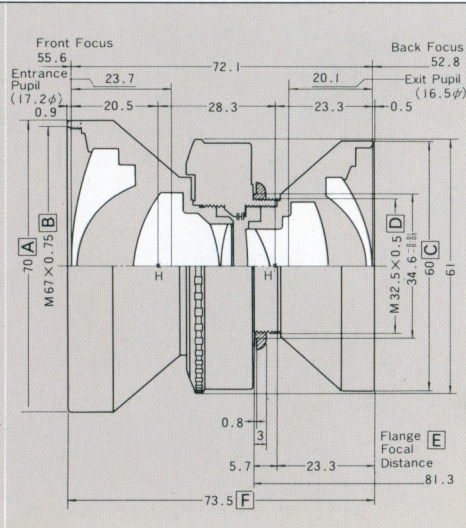
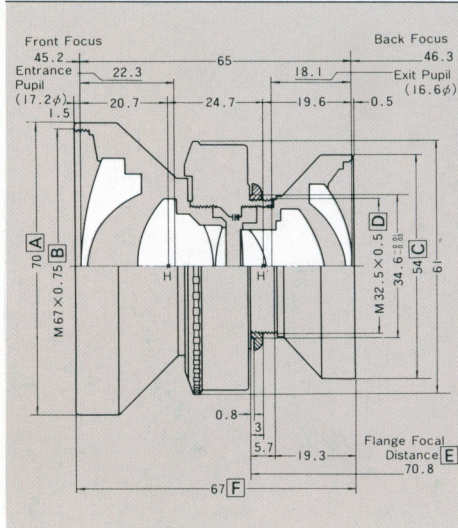


Nikkor-SW 65mm F4

Focal length	65mm
Maximum aperture ratio	1:4
Minimum aperture	f/45
Lens construction	7 elements in 4 groups
Covering power (f/4)	80°
Covering power (f/16)	105°
Image circle (f/4)	110mmφ
Image circle (f/16)	170mmφ (4" x 5")
Shutter	No. 0 (Copal®*)
Shutter speed	1—1/500 sec., T, B
Sync socket	X-contact
Front mount size A	70mmφ
Attachment size B	67mmφx0.75mm(P)
Rear mount size C	54mmφ
Flange attachment size D	32.5mmφx0.5mm(P)
Flange focal distance E	70.8mm
Overall length F	67mm
Weight	370g

Nikkor-SW 75mm F4.5

Focal length	75mm
Maximum aperture ratio	1:4.5
Minimum aperture	f/45
Lens construction	7 elements in 4 groups
Covering power (f/4.5)	80°
Covering power (f/16)	106°
Image circle (f/4.5)	126mmφ
Image circle (f/16)	200mmφ (120mm x 165mm)
Shutter	No. 0 (Copal®*)
Shutter speed	1—1/500 sec., T, B
Sync socket	X-contact
Front mount size A	70mmφ
Attachment size B	67mmφx0.75mm(P)
Rear mount size C	60mmφ
Flange attachment size D	32.5mmφx0.5mm(P)
Flange focal distance E	81.3mm
Overall length F	73.5mm
Weight	420g



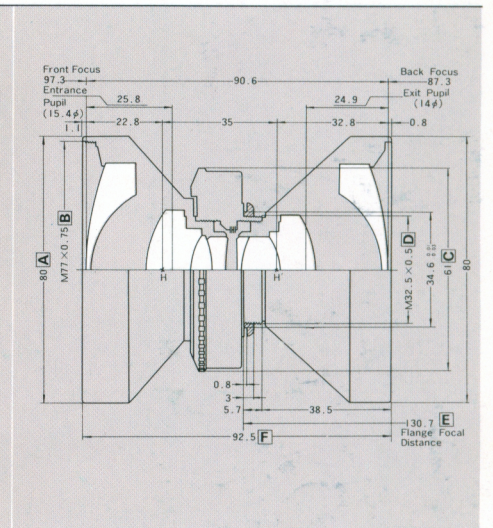
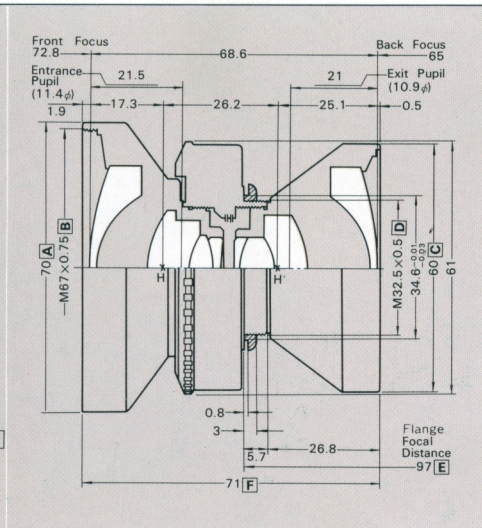
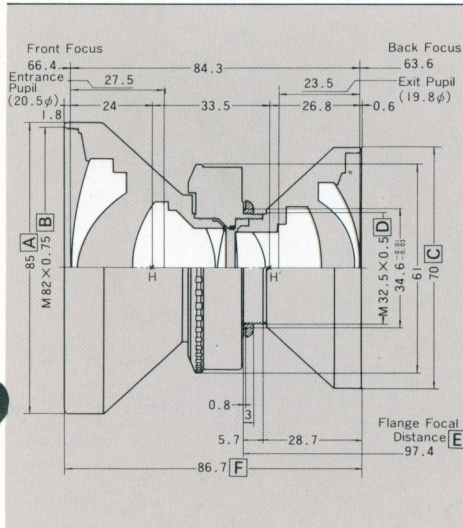
90mm F4.5

90mm F8

120mm F8



Nikkor-SW 90mm F4.5		Nikkor-SW 90mm F8		Nikkor-SW 120mm F8	
Focal length	90mm	Focal length	90mm	Focal length	120mm
Maximum aperture ratio	1:4.5	Maximum aperture ratio	1:8	Maximum aperture ratio	1:8
Minimum aperture	f/64	Minimum aperture	f/64	Minimum aperture	f/64
Lens construction	7 elements in 4 groups	Lens construction	8 elements in 4 groups	Lens construction	8 elements in 4 groups
Covering power (f/4.5)	80°	Covering power (f/8)	80°	Covering power (f/8)	80°
Covering power (f/16)	105°	Covering power (f/22)	105°	Covering power (f/22)	105°
Image circle (f/4.5)	154mmφ	Image circle (f/8)	154mmφ	Image circle (f/8)	200mmφ
Image circle (f/16)	235mmφ (5" x 7")	Image circle (f/22)	235mmφ (5" x 7")	Image circle (f/22)	312mmφ (8" x 10")
Shutter	No. 0 (Copal®*)	Shutter	No. 0 (Copal®*)	Shutter	No. 0 (Copal®*)
Shutter speed	1—1/500 sec., T, B	Shutter speed	1—1/500 sec., T, B	Shutter speed	1—1/500 sec., T, B
Sync socket	X-contact	Sync socket	X-contact	Sync socket	X-contact
Front mount size [A]	85mmφ	Front mount size [A]	70mmφ	Front mount size [A]	80mmφ
Attachment size [B]	82mmφ×0.75mm (P)	Attachment size [B]	67mmφ×0.75mm (P)	Attachment size [B]	77mmφ×0.75mm (P)
Rear mount size [C]	70mmφ	Rear mount size [C]	60mmφ	Rear mount size [C]	80mmφ
Flange attachment size [D]	32.5mmφ×0.5mm (P)	Flange attachment size [D]	32.5mmφ×0.5mm (P)	Flange attachment size [D]	32.5mmφ×0.5mm (P)
Flange focal distance [E]	97.4mm	Flange focal distance [E]	97.0mm	Flange focal distance [E]	130.7mm
Overall length [F]	86.7mm	Overall length [F]	71mm	Overall length [F]	92.5mm
Weight	600g	Weight	360g	Weight	610g



*Designed exclusively for Nikon. "Copal" is the registered trademark of Copal Co., Ltd., Tokyo, Japan.

W Series

Nikkor-W Series

Stopped down, the W series achieves a covering power of 70°. Constructed of six elements in four groups, lenses in this series exhibit a high degree of freedom from distortion, curvature of field, and chromatic aberration. Contrast and color reproduction are enhanced through the use of Nikon Integrated Coating. The W series is recommended for a variety of subjects, including landscapes, portraits, architecture, and table-top photography.



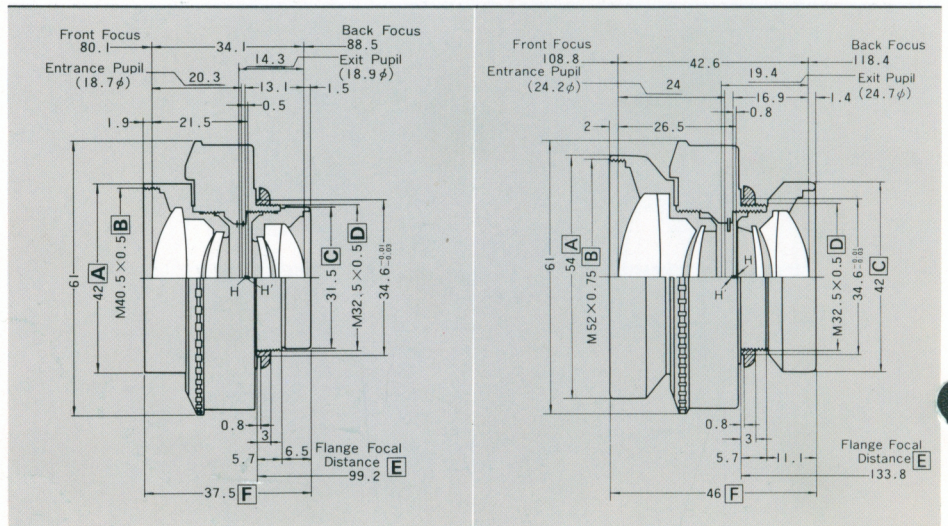
100mm F5.6



135mm F5.6



Nikkor-W 100mm F5.6		Nikkor-W 135mm F5.6	
Focal length	100mm	Focal length	135mm
Maximum aperture ratio	1:5.6	Maximum aperture ratio	1:5.6
Minimum aperture	f/45	Minimum aperture	f/64
Lens construction	6 elements in 4 groups	Lens construction	6 elements in 4 groups
Covering power (f/5.6)	60°	Covering power (f/5.6)	60°
Covering power (f/22)	74°	Covering power (f/22)	73°
Image circle (f/5.6)	117mmφ	Image circle (f/5.6)	156mmφ
Image circle (f/22)	153mmφ (4" x 5")	Image circle (f/22)	200mmφ (120mm x 165mm)
Shutter	No. 0 (Copal®*)	Shutter	No. 0 (Copal®*)
Shutter speed	1—1/500 sec., T, B	Shutter speed	1—1/500 sec., T, B
Sync socket	X-contact	Sync socket	X-contact
Front mount size [A]	42mmφ	Front mount size [A]	54mmφ
Attachment size [B]	40.5mmφ x 0.5mm (P)	Attachment size [B]	52mmφ x 0.75mm (P)
Rear mount size [C]	31.5mmφ	Rear mount size [C]	42mmφ
Flange attachment size [D]	32.5mmφ x 0.5mm (P)	Flange attachment size [D]	32.5mmφ x 0.5mm (P)
Flange focal distance [E]	99.2mm	Flange focal distance [E]	133.8mm
Overall length [F]	37.5mm	Overall length [F]	46mm
Weight	170g	Weight	200g



150mm F5.6

180mm F5.6

210mm F5.6

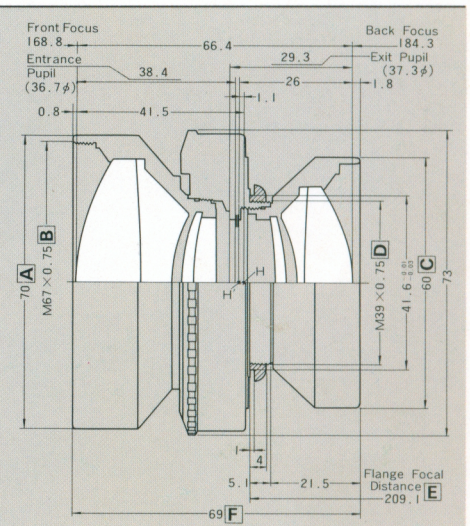
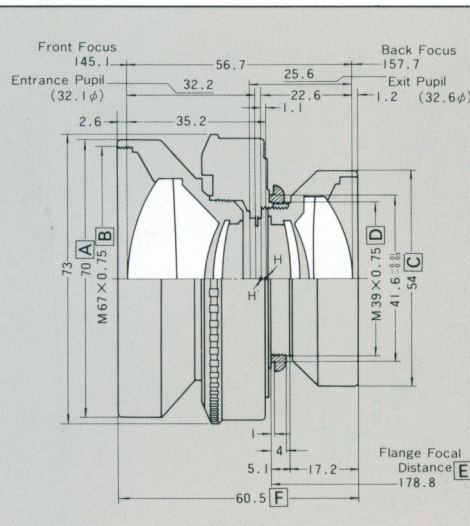
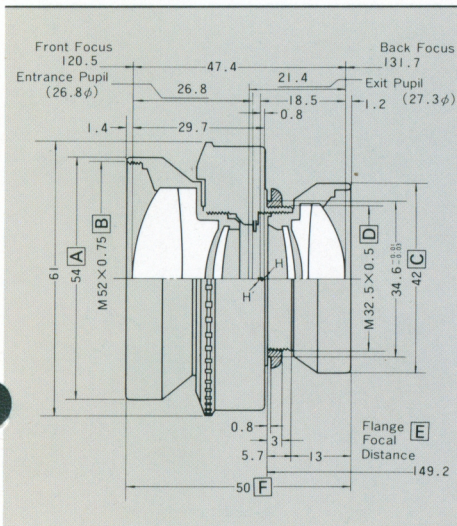


Nikkor-W 150mm F5.6

Nikkor-W 180mm F5.6

Nikkor-W 210mm F5.6

Focal length	150mm	Focal length	180mm	Focal length	210mm
Maximum aperture ratio	1:5.6	Maximum aperture ratio	1:5.6	Maximum aperture ratio	1:5.6
Minimum aperture	f/64	Minimum aperture	f/64	Minimum aperture	f/64
Lens construction	6 elements in 4 groups	Lens construction	6 elements in 4 groups	Lens construction	6 elements in 4 groups
Covering power (f/5.6)	60°	Covering power (f/5.6)	60°	Covering power (f/5.6)	60°
Covering power (f/22)	70°	Covering power (f/22)	70°	Covering power (f/22)	70°
Image circle (f/5.6)	174mmφ	Image circle (f/5.6)	208mmφ	Image circle (f/5.6)	243mmφ
Image circle (f/22)	210mmφ (5" x 7")	Image circle (f/22)	253mmφ (5" x 7")	Image circle (f/22)	295mmφ (6½" x 8½")
Shutter	No. 0 (Copal®*)	Shutter	No. 1 (Copal®*)	Shutter	No. 1 (Copal®*)
Shutter speed	1—1/500 sec., T, B	Shutter speed	1—1/400 sec., T, B	Shutter speed	1—1/400 sec., T, B
Sync socket	X-contact	Sync socket	X-contact	Sync socket	X-contact
Front mount size [A]	54mmφ	Front mount size [A]	70mmφ	Front mount size [A]	70mmφ
Attachment size [B]	52mmφ x 0.75mm (P)	Attachment size [B]	67mmφ x 0.75mm (P)	Attachment size [B]	67mmφ x 0.75mm (P)
Rear mount size [C]	42mmφ	Rear mount size [C]	54mmφ	Rear mount size [C]	60mmφ
Flange attachment size [D]	32.5mmφ x 0.5mm (P)	Flange attachment size [D]	39mmφ x 0.75mm (P)	Flange attachment size [D]	39mmφ x 0.75mm (P)
Flange focal distance [E]	149.2mm	Flange focal distance [E]	178.8mm	Flange focal distance [E]	209.1mm
Overall length [F]	50mm	Overall length [F]	60.5mm	Overall length [F]	69mm
Weight	230g	Weight	380g	Weight	460g



*Designed exclusively for Nikon. "Copal" is the registered trademark of Copal Co., Ltd., Tokyo, Japan.

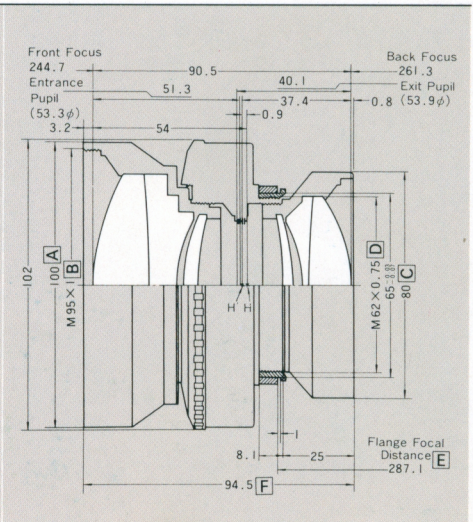
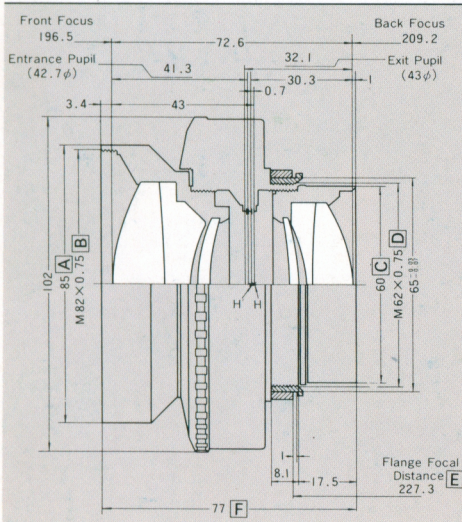
240mm F5.6

300mm F5.6

Image Circle Chart

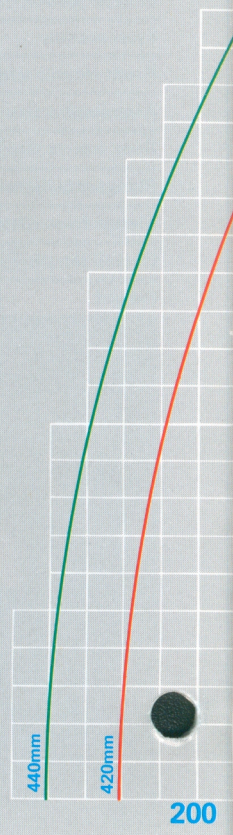


Nikkor-W 240mm F5.6		Nikkor-W 300mm F5.6	
Focal length	240mm	Focal length	300mm
Maximum aperture ratio	1:5.6	Maximum aperture ratio	1:5.6
Minimum aperture	f/64	Minimum aperture	f/64
Lens construction	6 elements in 4 groups	Lens construction	6 elements in 4 groups
Covering power (f/5.6)	60°	Covering power (f/5.6)	60°
Covering power (f/22)	70°	Covering power (f/22)	70°
Image circle (f/5.6)	278mmφ	Image circle (f/5.6)	346mmφ
Image circle (f/22)	336mmφ (8" x 10")	Image circle (f/22)	420mmφ (10" x 12")
Shutter	No. 3 (Copal®*)	Shutter	No. 3 (Copal®*)
Shutter speed	1-1/125 sec., T, B	Shutter speed	1-1/125 sec., T, B
Sync socket	X-contact	Sync socket	X-contact
Front mount size A	85mmφ	Front mount size A	100mmφ
Attachment size B	82mmφ x 0.75mm(P)	Attachment size B	95mmφ x 1mm(P)
Rear mount size C	60mmφ	Rear mount size C	80mmφ
Flange attachment size D	62mmφ x 0.75mm(P)	Flange attachment size D	62mmφ x 0.75mm(P)
Flange focal distance E	227.3mm	Flange focal distance E	287.1mm
Overall length F	77mm	Overall length F	94.5mm
Weight	820g	Weight	1250g



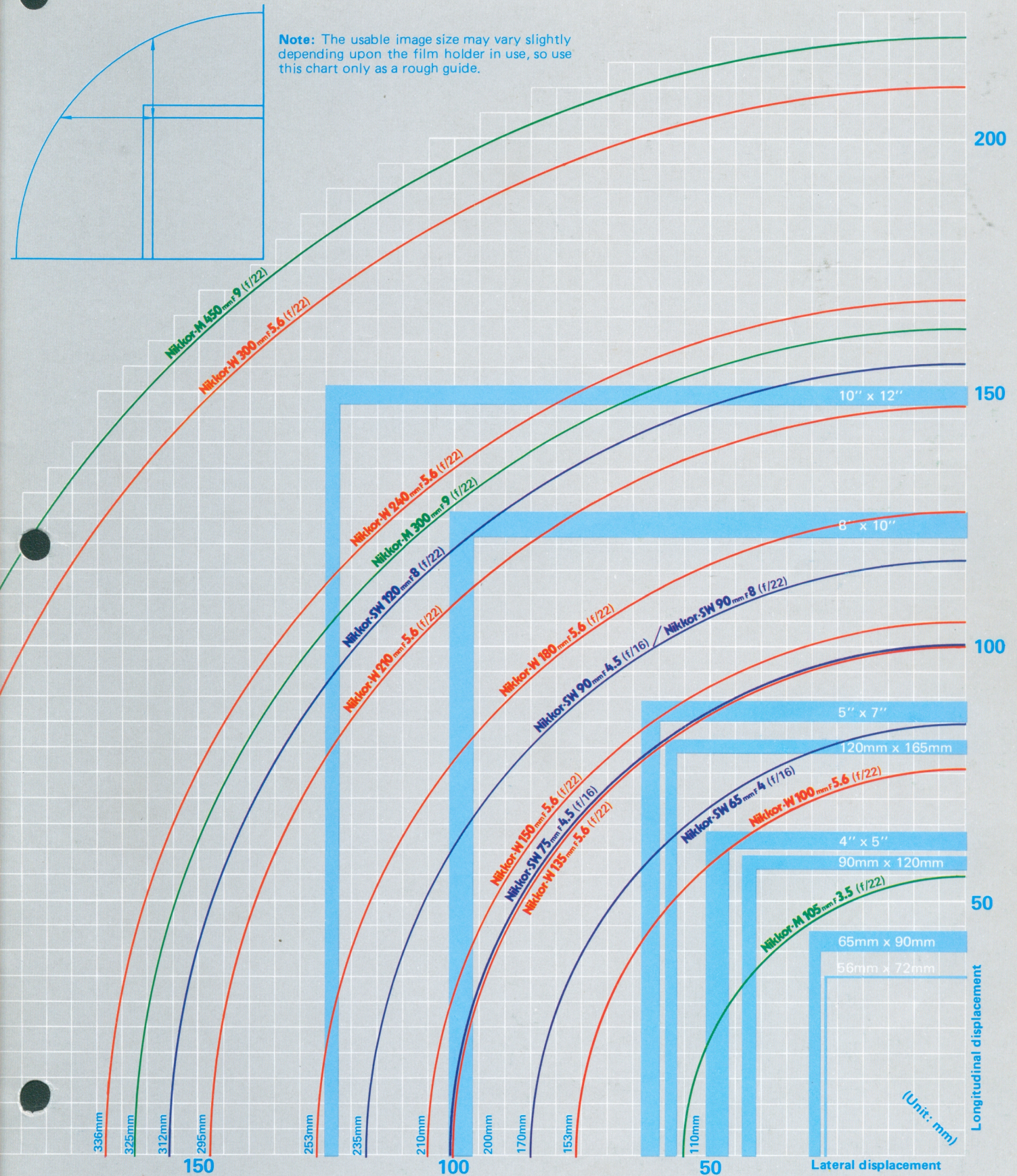
The chart to the right shows an arc of the image circle projected by each Nikkor lens when it is stopped down to the specified f-stop. The rectangular boxes indicate the film formats: the outer frame representing the designated format size, and the inner frame a usable image size for that format. By comparing the image size rectangles with the image circles of the lenses it is possible to see whether a given lens will fully cover a given film format and how much displacement is possible (longitudinal or lateral in one direction).

This life-size chart represents one quarter portion of the complete projection. Find the amount of displacement by reading the scale on the chart or by actually measuring the distance using a ruler.



*Designed exclusively for Nikon. "Copal" is the registered trademark of Copal Co., Ltd., Tokyo, Japan.

Note: The usable image size may vary slightly depending upon the film holder in use, so use this chart only as a rough guide.



The lenses shown in this brochure represent
the latest available at the time of printing.
Designs and specifications are subject to change
without notice.

97



NIKON INCORPORATED

623 Stewart Avenue, Garden City, N.Y. 11530
Tel: 516-222-0200 Telex: 967806 EPOI GRCY

Printed in Japan

8237 10M 5/81