

Corrected to NOVEMBER 1960

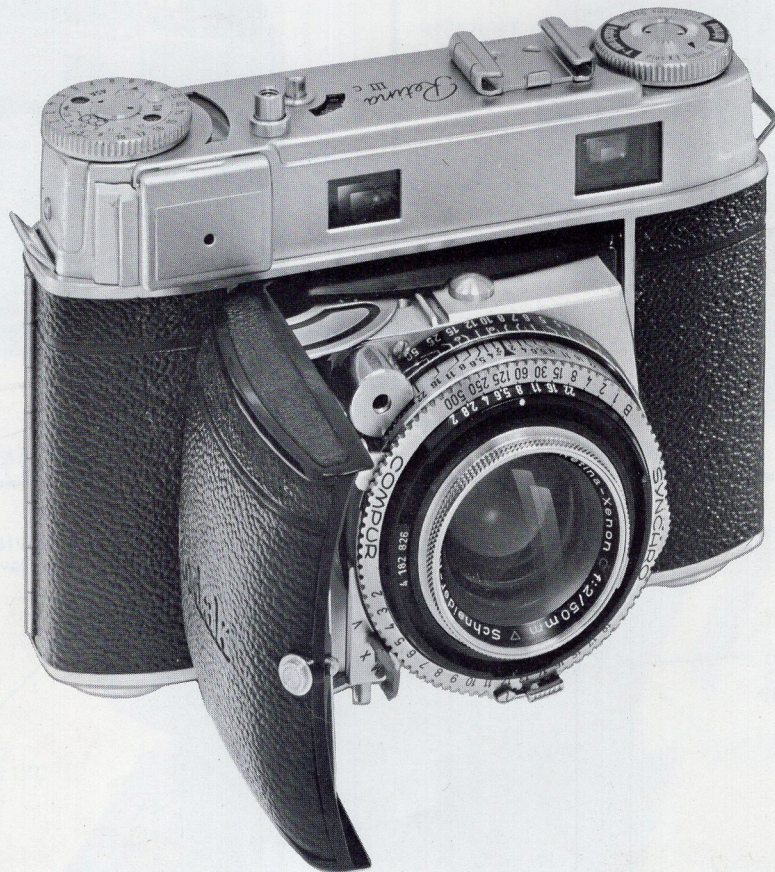
PARTS LIST No. 5537

# **KODAK RETINA IIc, IIIc, and IIIC CAMERAS**

## **AND**

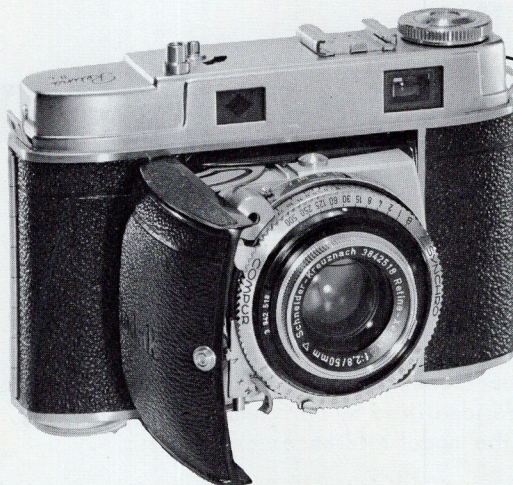
### **KODAK RETINA FIELD CASE, MODEL B**

This revised parts list supersedes models IIc and IIIc covered in Parts List No. 5517. Parts common to all models are identified by part number and name only. Parts not common to all models are identified by the model reference.



**ORDER PARTS FROM APPARATUS PARTS SERVICE  
EASTMAN KODAK COMPANY, ROCHESTER 4, N.Y.**

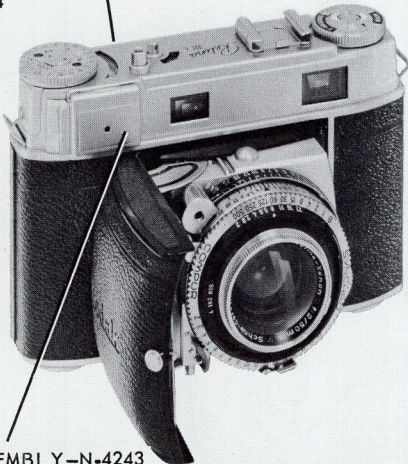
KODAK RETINA IIc, IIIc, and IIIC CAMERAS



HOUSING ASSEMBLY-N-4032  
See figure 4

KODAK RETINA IIc

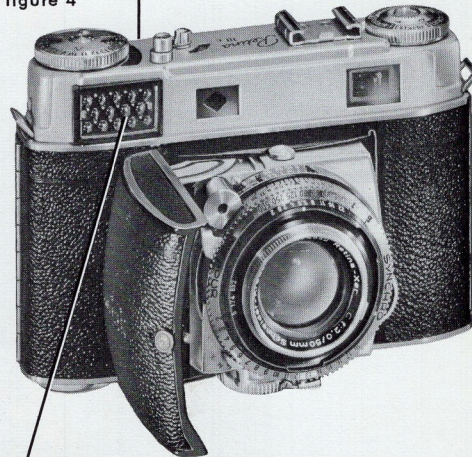
HOUSING ASSEMBLY-N-4096  
See figure 4



METER ASSEMBLY-N-4243  
See figure 4A

KODAK RETINA IIIc, Old Style

HOUSING ASSEMBLY-N-4735  
See figure 4



METER ASSEMBLY-N-4503  
See figure 4A

KODAK RETINA IIIc, New Style

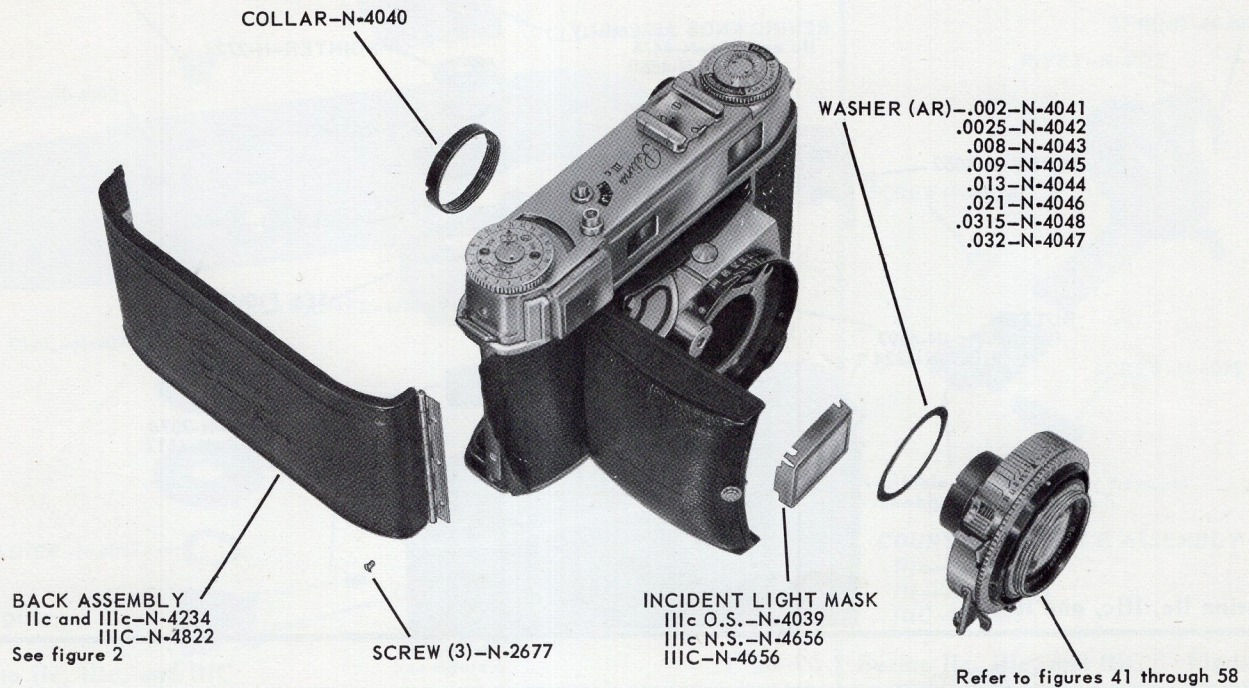
METER ASSEMBLY  
Old Style-N-4503  
New Style-N-4883  
See figure 4A



HOUSING ASSEMBLY-N-4781  
See figure 4

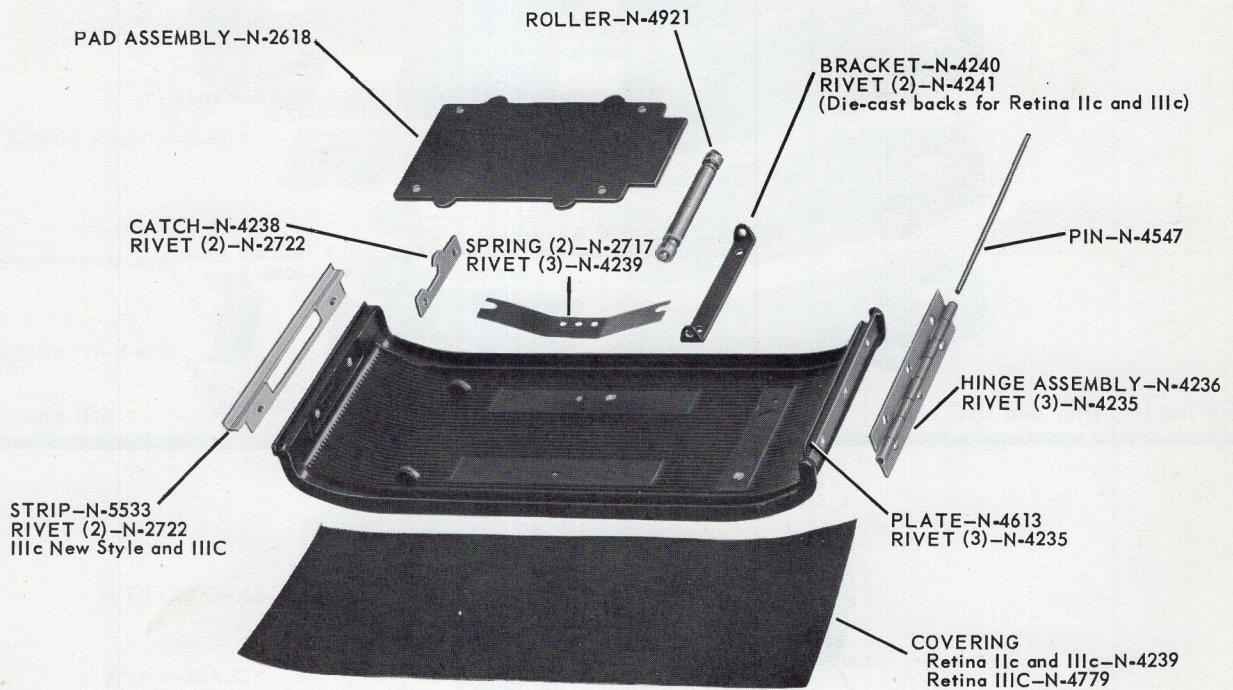
KODAK RETINA IIIC

KODAK RETINA IIc, IIIc, and IIIC CAMERAS



RETINA IIc, IIIc and IIIC

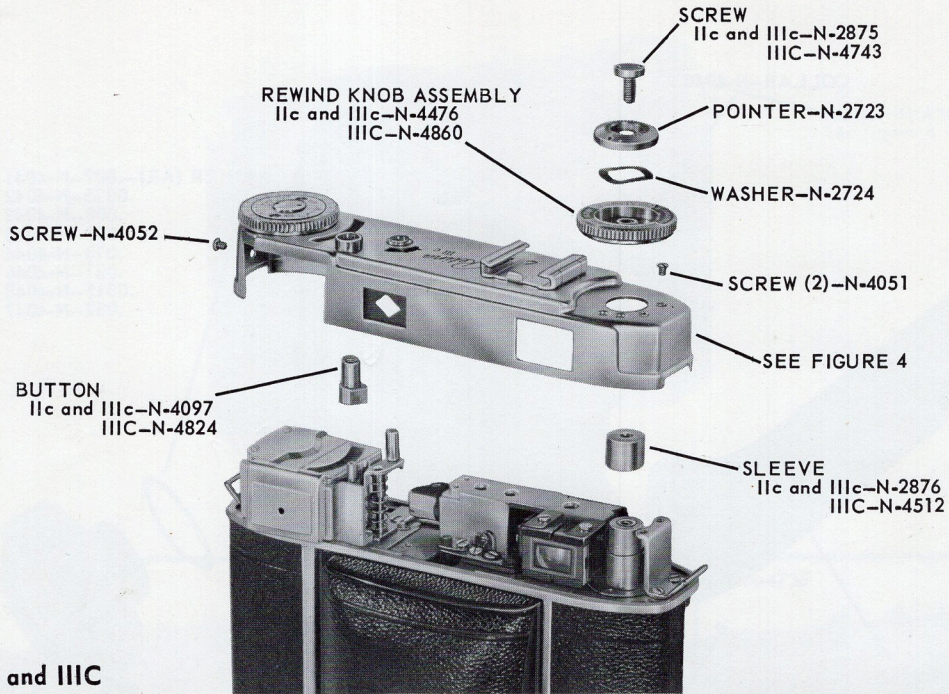
Figure 1



BACK ASSEMBLY  
Retina IIc and IIIC-N-4234  
Retina IIIC-N-4822

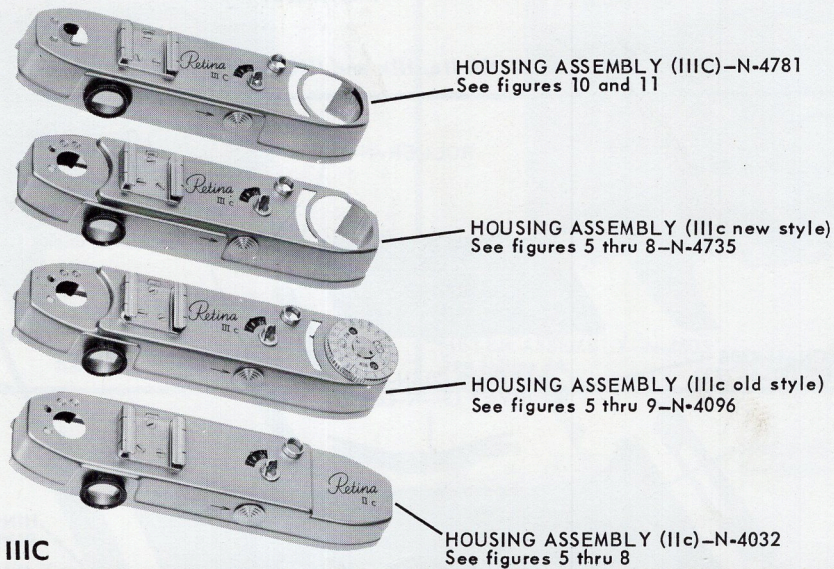
Figure 2

# KODAK RETINA IIc, IIIc, and IIIC CAMERAS



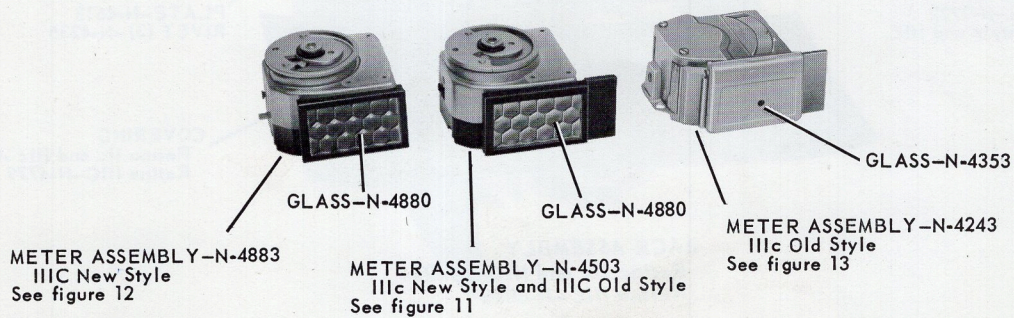
Retina IIc, IIIc, and IIIC

Figure 3



Retina IIc, IIIc, and IIIC

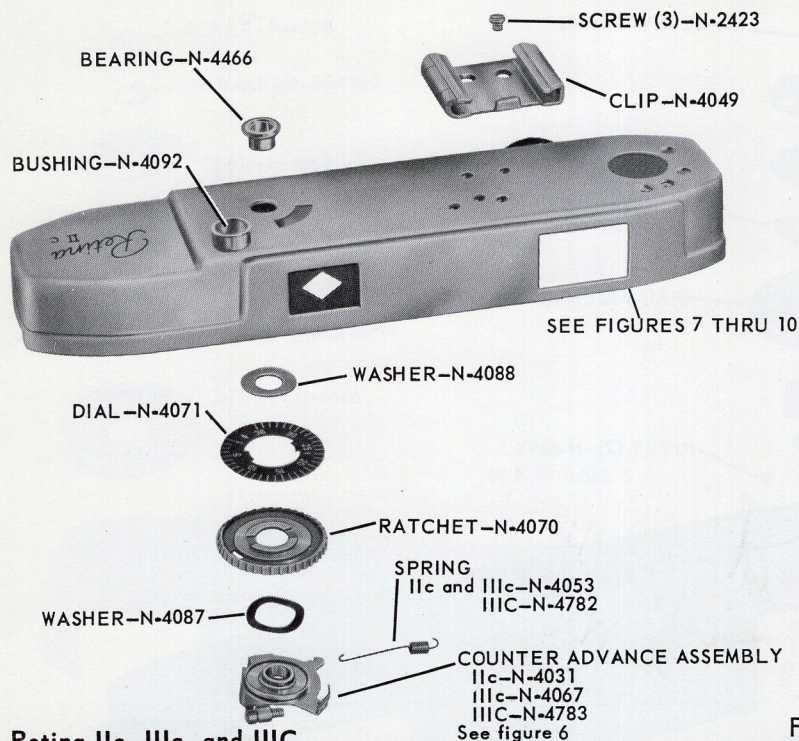
Figure 4



Retina IIc, IIIc, and IIIC

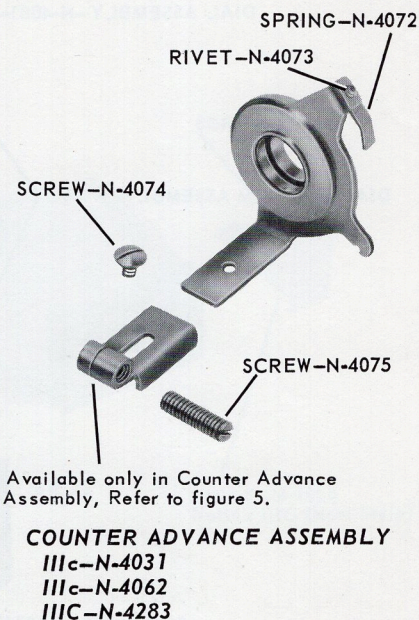
Figure 4A

KODAK RETINA IIc, IIIc, and IIIC CAMERAS

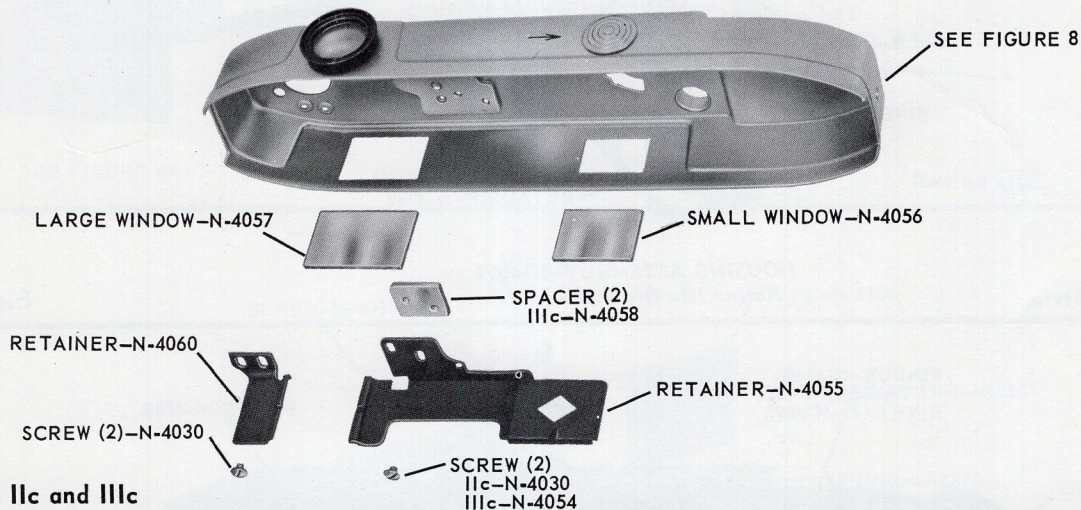


Retina IIc, IIIc, and IIIC

Figure 5

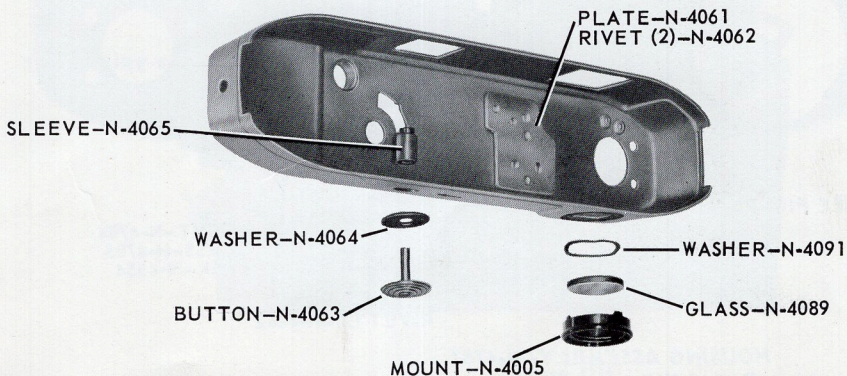


Retina IIc, IIIc, and IIIC Figure 6



Retina IIc and IIIc

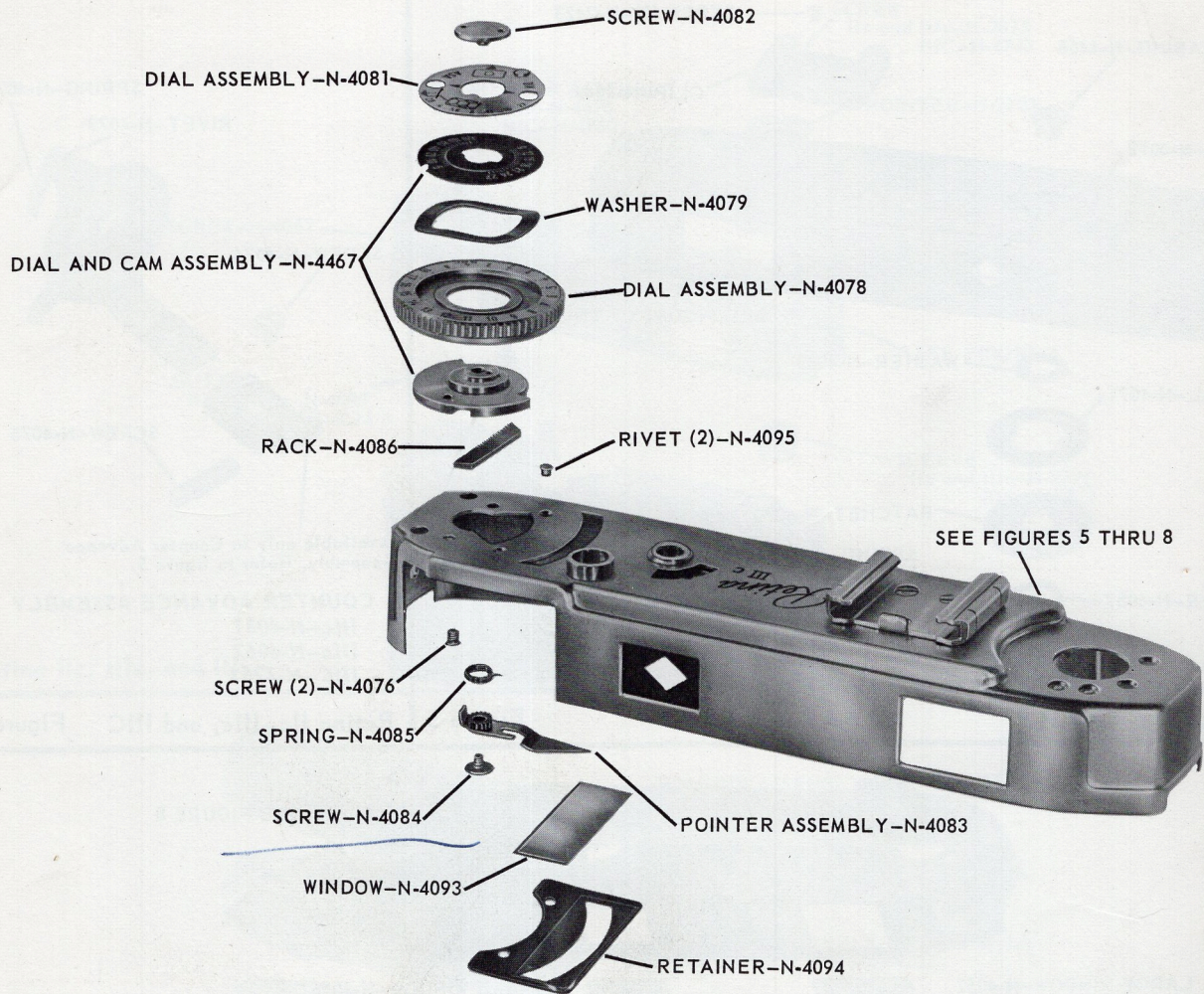
Figure 7



Retina IIc and IIIc

Figure 8

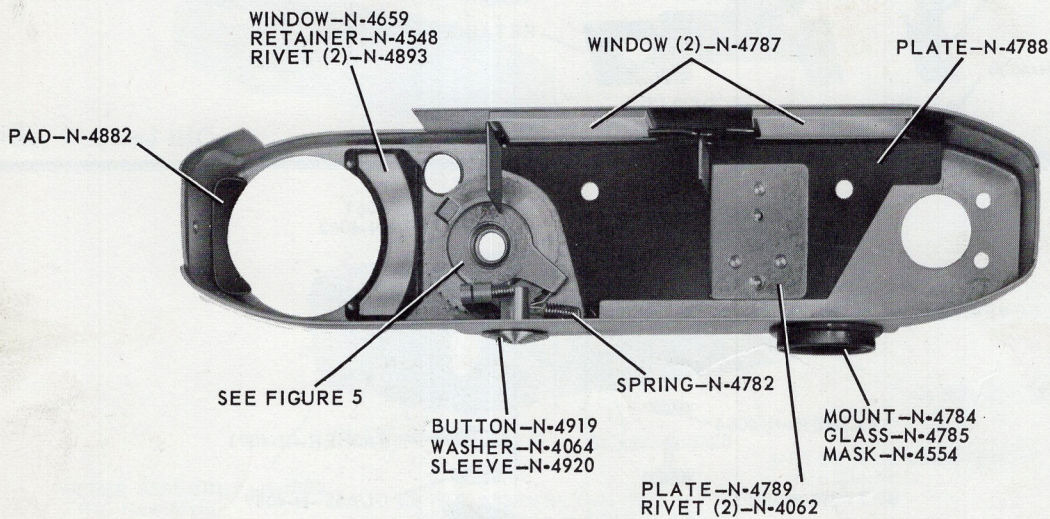
KODAK RETINA IIc, IIIc, and IIIC CAMERAS



HOUSING ASSEMBLY-N-4096  
Retina IIIc Old Style

RETINA IIIc Old Style

Figure 9

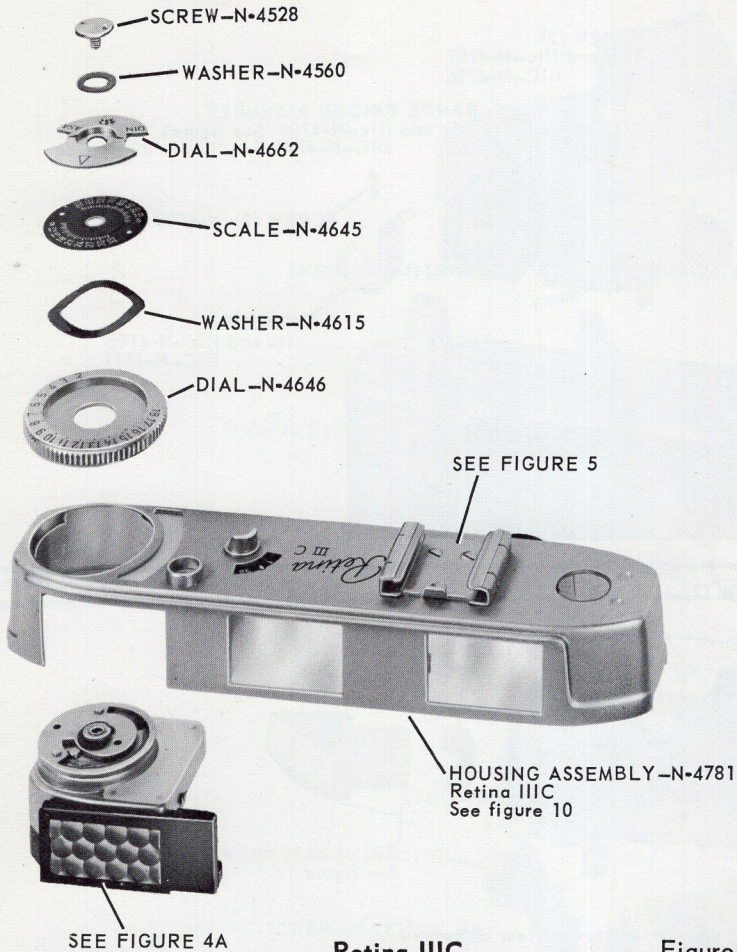


HOUSING ASSEMBLY-N-4781  
Retina IIIC

RETINA IIIC

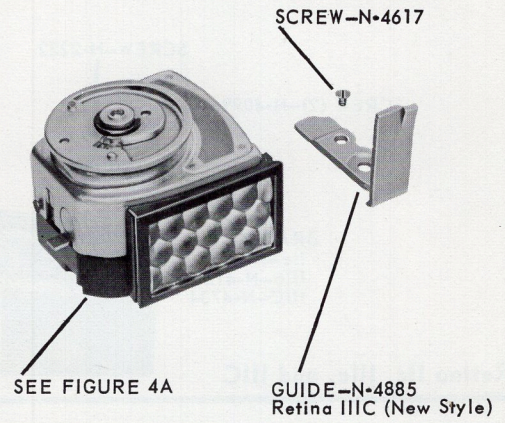
Figure 10

KODAK RETINA IIc, IIIc, and IIIC CAMERAS



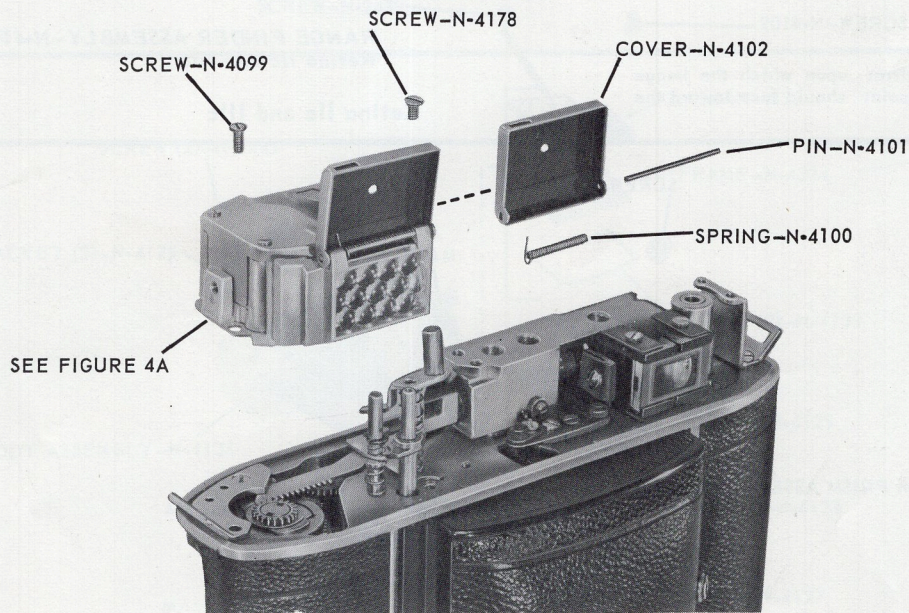
Retina IIIC

Figure 11



Retina IIIC

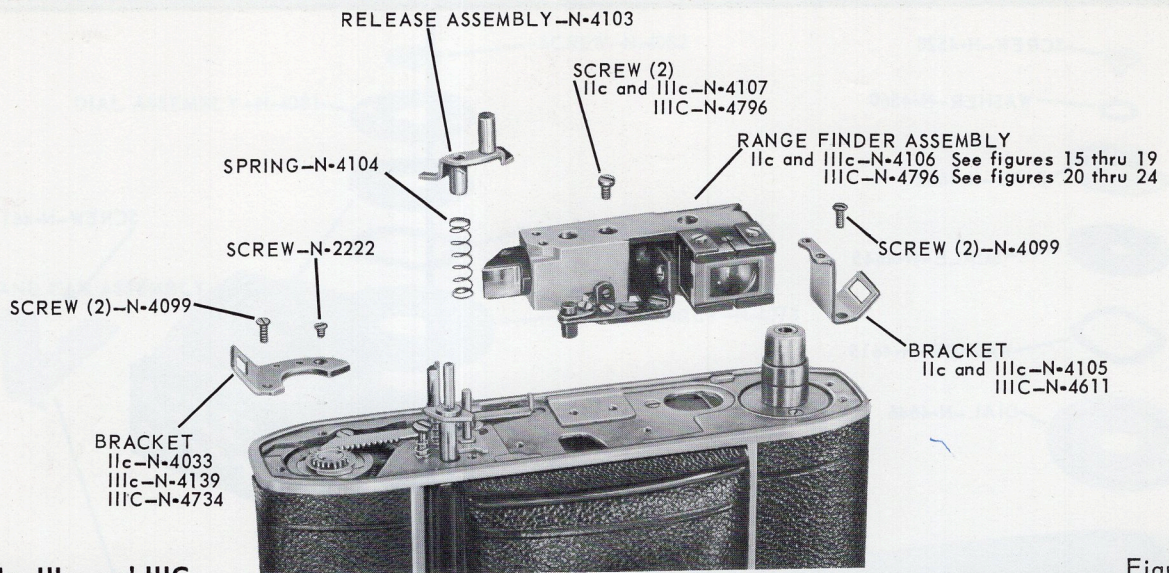
Figure 12



Retina IIIC

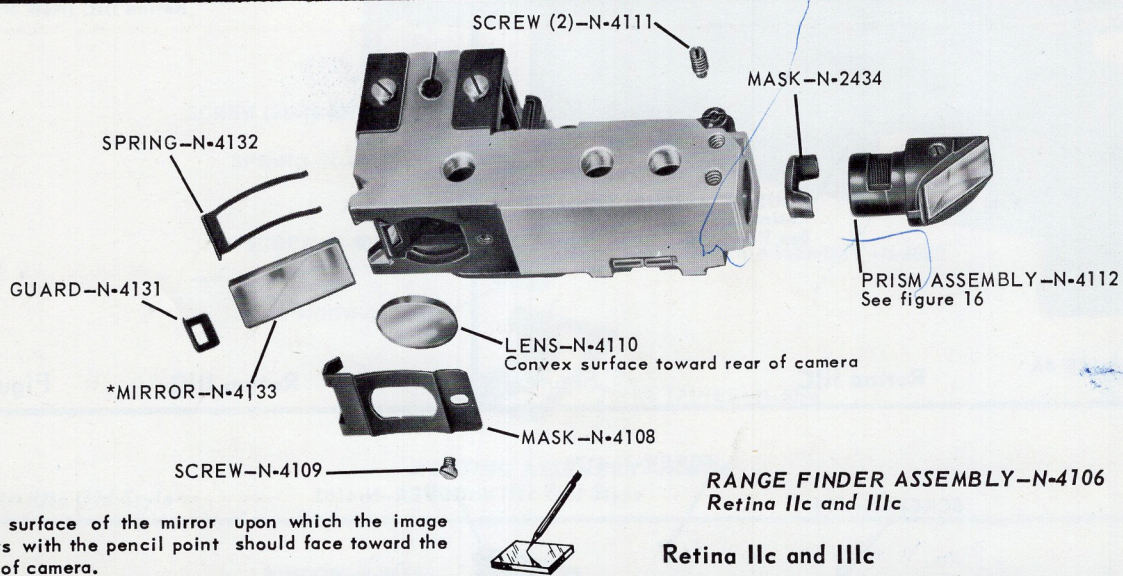
Figure 13

# KODAK RETINA IIc, IIIc, and IIIC CAMERAS



Retina IIc, IIIc, and IIIC

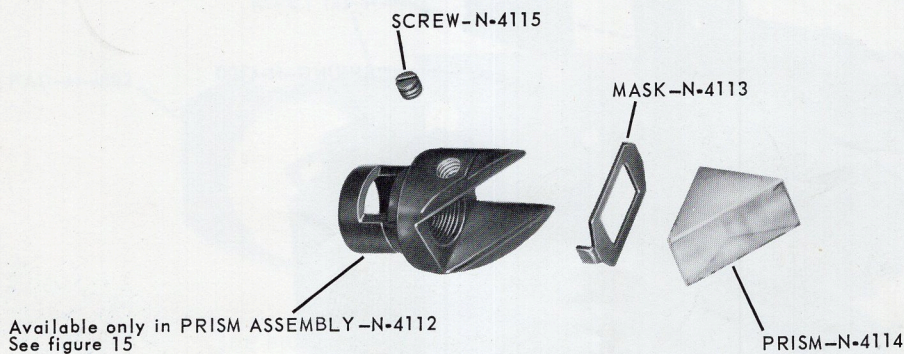
Figure 14



\*The surface of the mirror upon which the image meets with the pencil point should face toward the rear of camera.

Retina IIc and IIIc

Figure 15

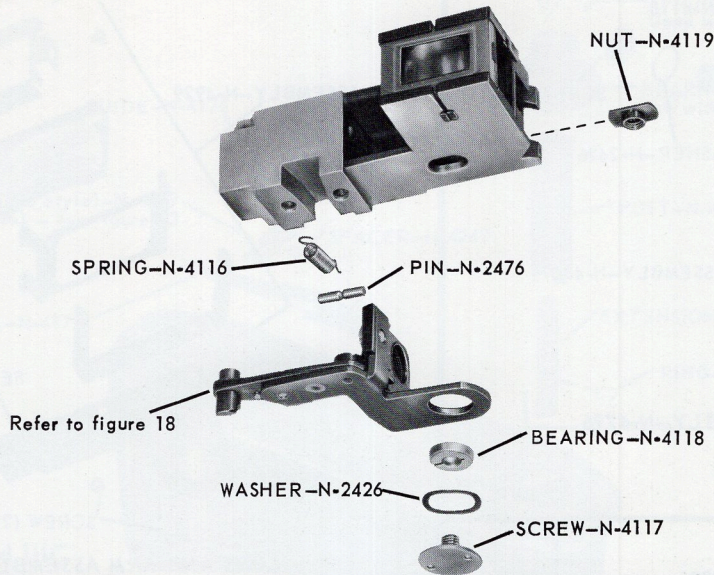


Retina IIc and IIIc

Figure 16

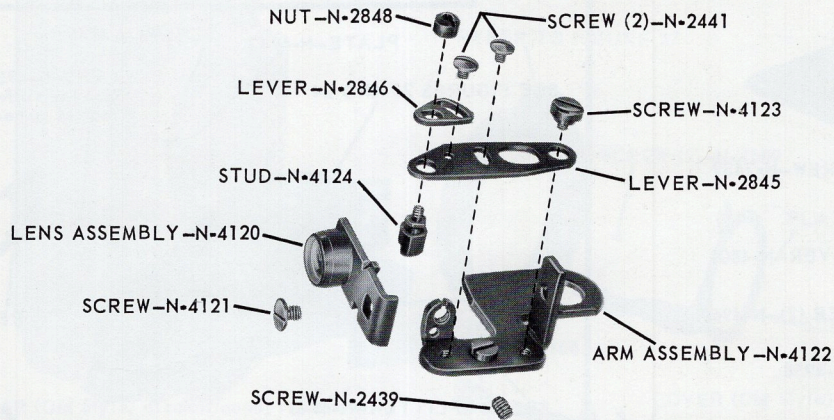


KODAK RETINA IIc, IIIc, and IIIC CAMERAS



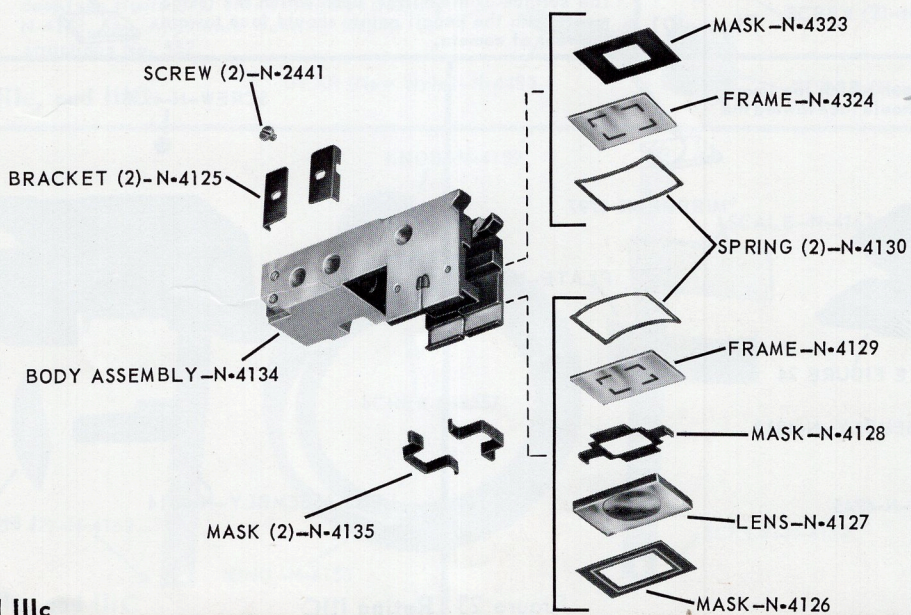
Retina IIc and IIIc

Figure 17



Retina IIc and IIIc

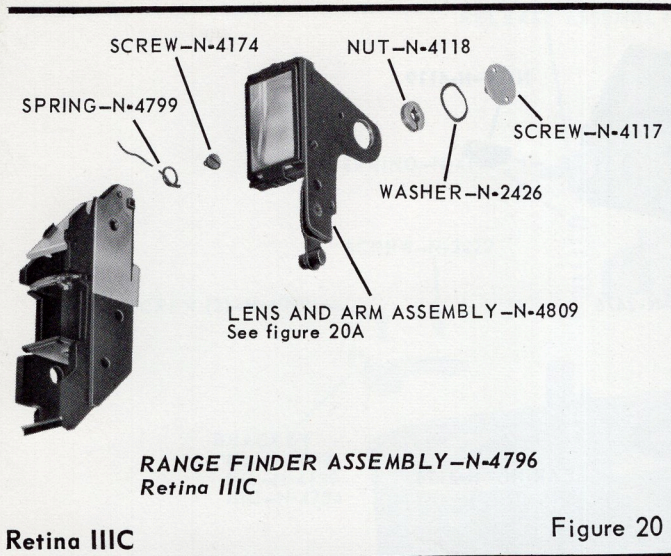
Figure 18



Retina IIc and IIIc

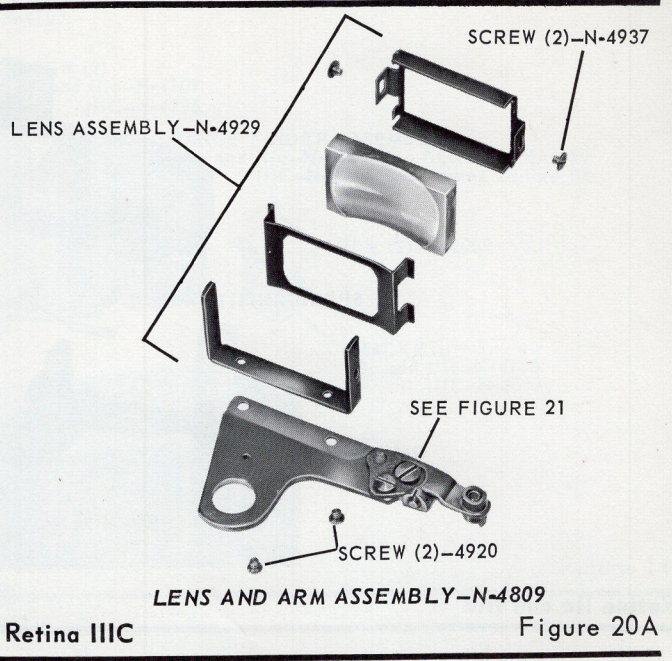
Figure 19

# KODAK RETINA IIc, IIIc, and IIIC CAMERAS



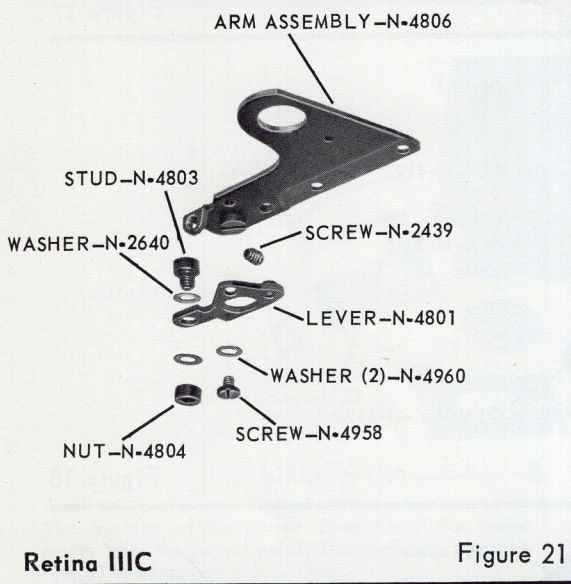
Retina IIIC

Figure 20



Retina IIIC

Figure 20A



Retina IIIC

Figure 21

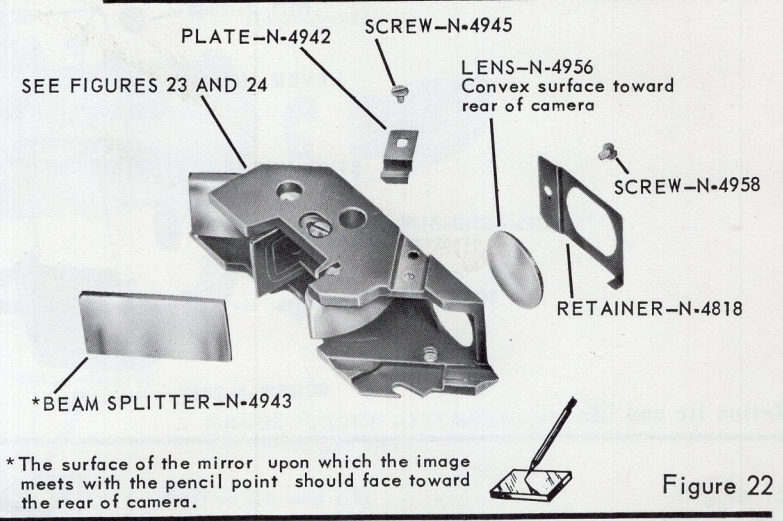
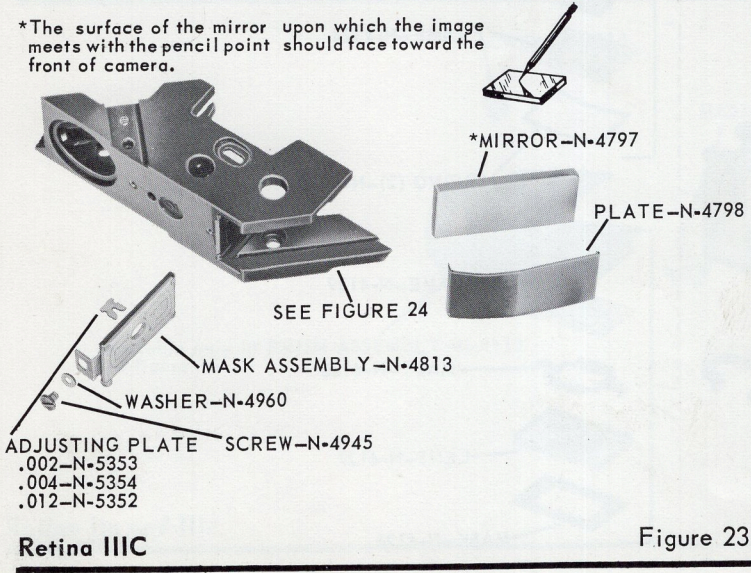
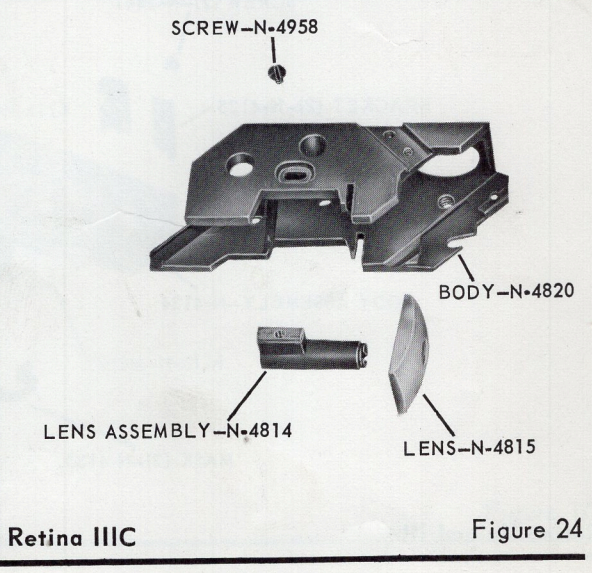


Figure 22



Retina IIIC

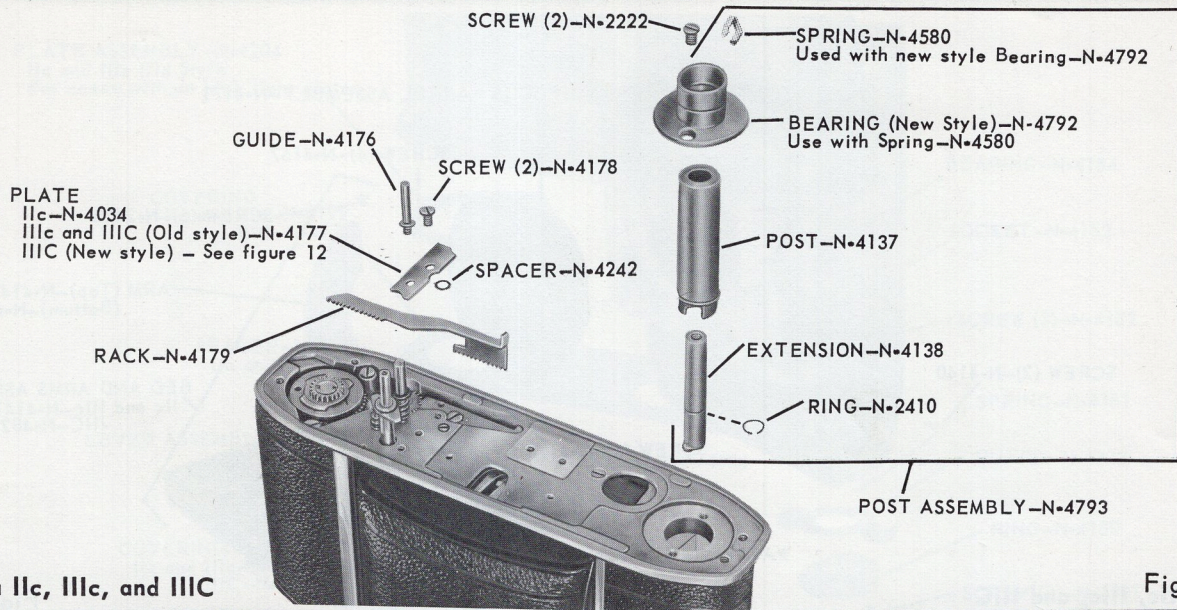
Figure 23



Retina IIIC

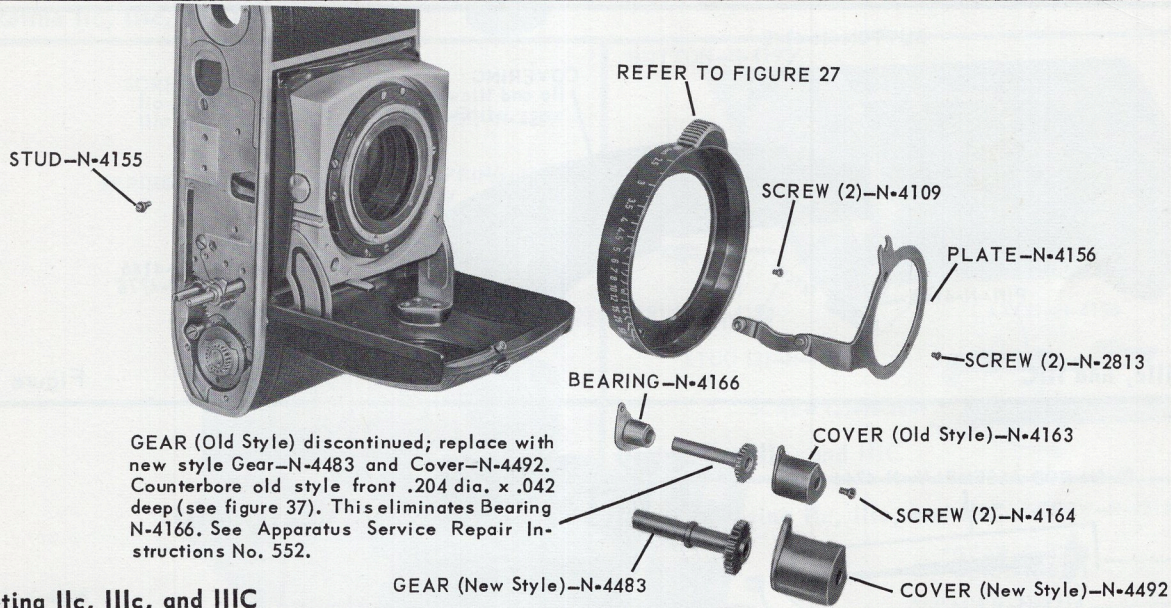
Figure 24

# KODAK RETINA IIc, IIIc, and IIIC CAMERAS



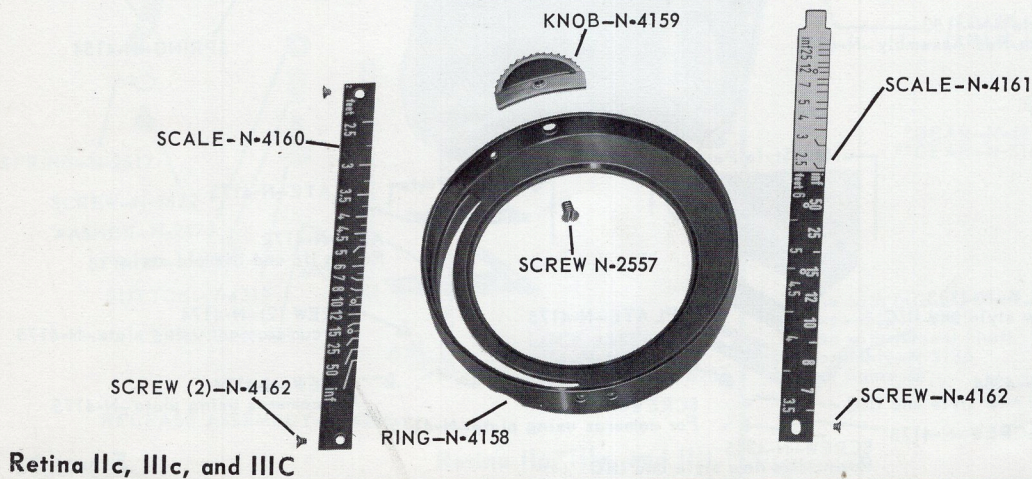
Retina IIc, IIIc, and IIIC

Figure 25



Retina IIc, IIIc, and IIIC

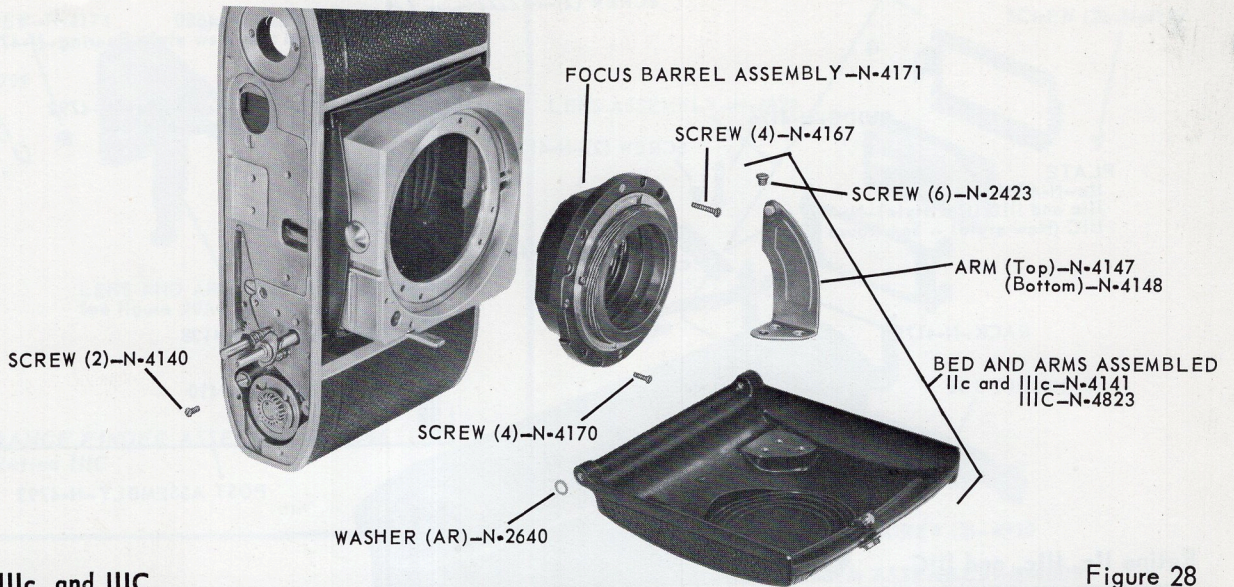
Figure 26



Retina IIc, IIIc, and IIIC

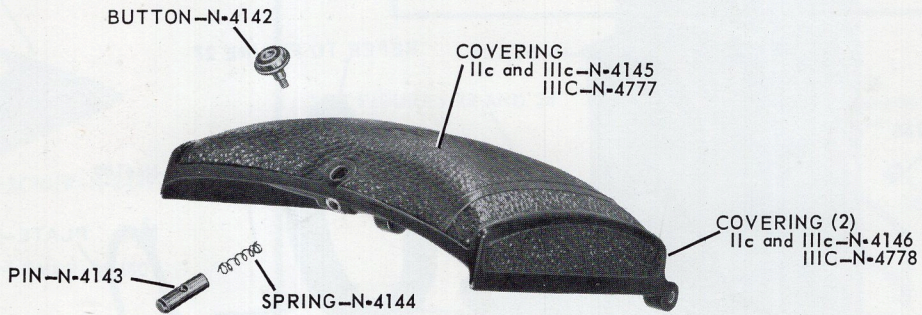
Figure 27

KODAK RETINA IIc, IIIc, and IIIC CAMERAS



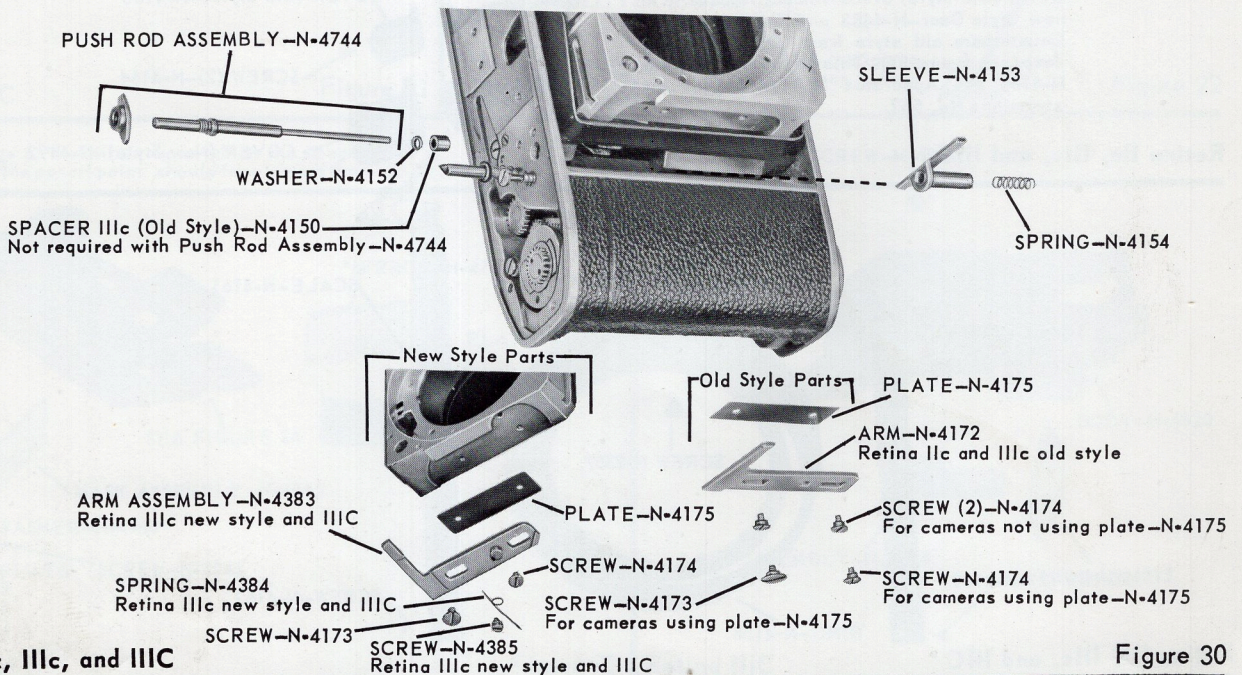
Retina IIc, IIIc, and IIIC

Figure 28



Retina IIc, IIIc, and IIIC

Figure 29



Retina IIc, IIIc, and IIIC

Figure 30

# KODAK RETINA IIc, IIIc, and IIIC CAMERAS

PLATE ASSEMBLY-N-4204  
IIc and IIIc Old Style  
For cases without high light plates.

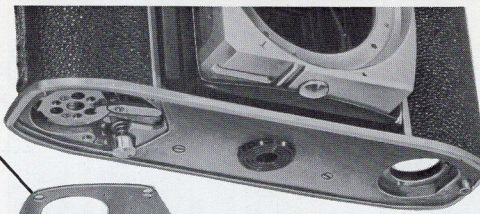
COVERING  
IIc and IIIc-N-4199  
IIIC-N-4773

SPACER-N-4203  
IIc and IIIc

LEVER ASSEMBLY-N-4202

SCREW (3)-N-4201

COVERING  
IIc and IIIc-N-4200  
IIIC-N-4530



BEARING-N-4184

SOCKET-N-4183

SCREW (3)-N-2677

SCREW (3)-N-4182

SPRING-N-4181

GUARD-N-4322

BUMPER-N-4634

RING-N-4180

SCREW (2)-N-4321

Retina IIc, IIIc, and IIIC

Figure 31

SCREW  
IIc-N-4025  
IIc and IIIC-N-4209

RETAINER-N-4207

SPRING-N-4210

SPRING-N-4206

BUTTON-N-4193

SPRING-N-4194

STUD (2)-N-4197

SCREW (2)-N-2699

LATCH-N-4196

PLATE-N-4195

Retina IIc, IIIc, and IIIC

Figure 32

DOG-N-4228

SPRING-N-2617

SCREW-N-2672

WASHER-N-2675

SPRING-N-4325

BUTTON-N-4219

SPRING-N-4211

RELEASE ASSEMBLY-N-4208

LOCK ASSEMBLY  
IIc-N-4035  
IIc and IIIC-N-4205

Figure 33

Retina IIc, IIIc, and IIIC

Retina IIc, IIIc, and IIIC SCREW-N-4212

\*GEAR-N-4213

\*\*GEAR-N-5181

\*SPACER-N-4214

\*\*SPACER-N-5182

\*PAWL-N-4215

\*\*PAWL-N-5183

CAM-N-4216

SPRING-N-4217

\*GEAR-N-4218

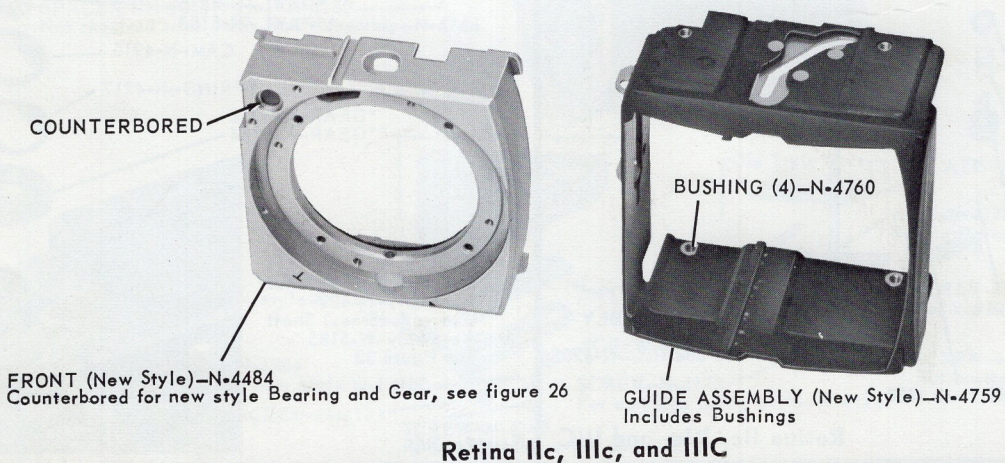
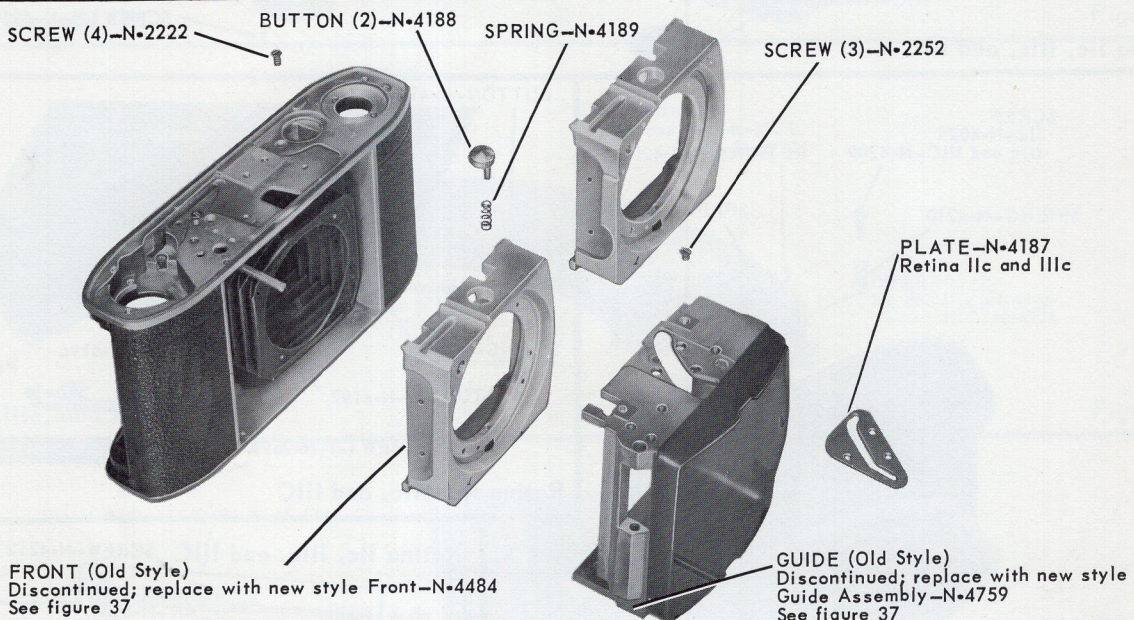
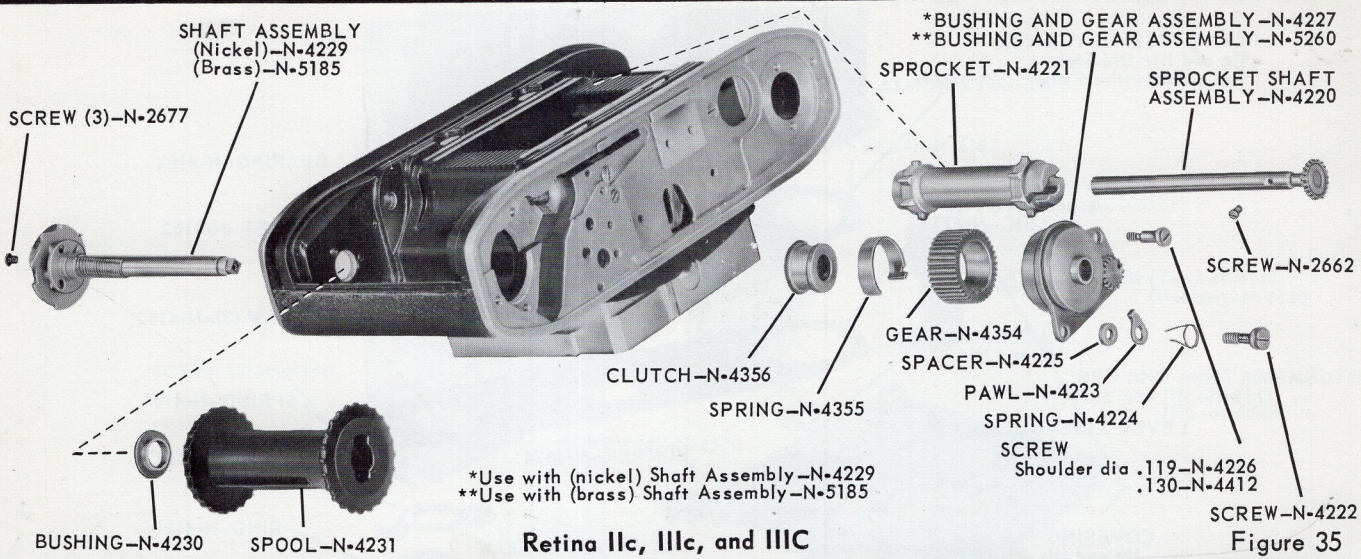
\*\*GEAR-N-5184

\*Use with (nickel) Shaft  
Assembly-N-4229

\*\*Use with (brass) Shaft  
Assembly-N-5185  
See figure 35

Figure 34

KODAK RETINA IIc, IIIc, and IIIC CAMERAS



KODAK RETINA IIc, IIIc, and IIIC CAMERAS

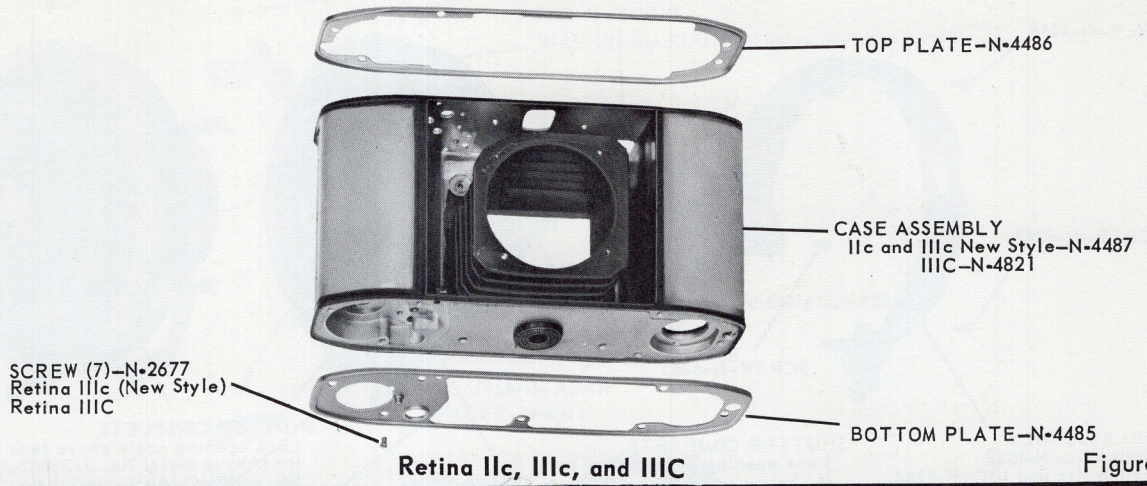


Figure 38

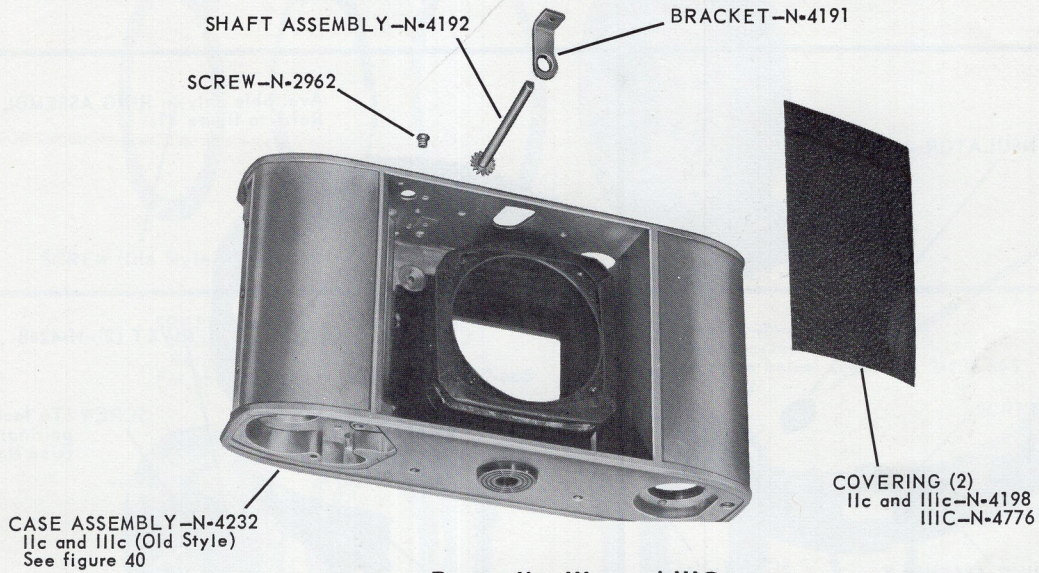


Figure 39

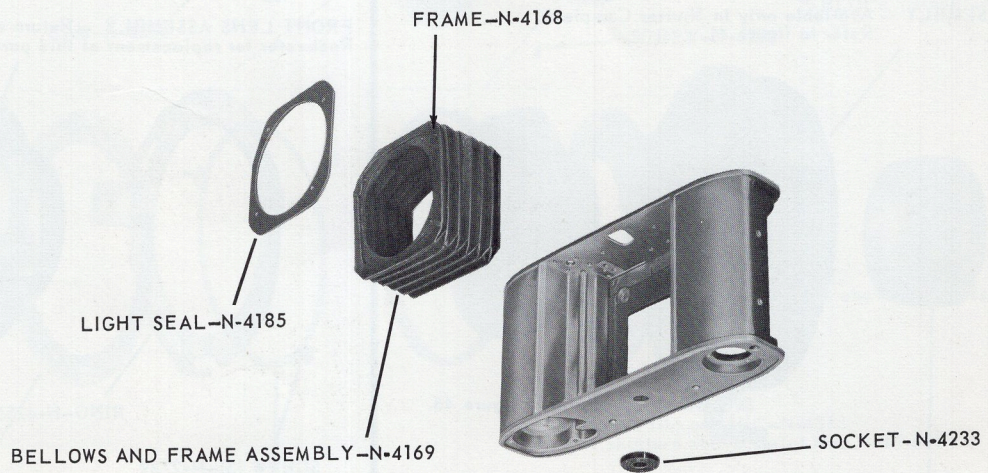


Figure 40

# KODAK RETINA IIc, IIIc, and IIIC CAMERAS

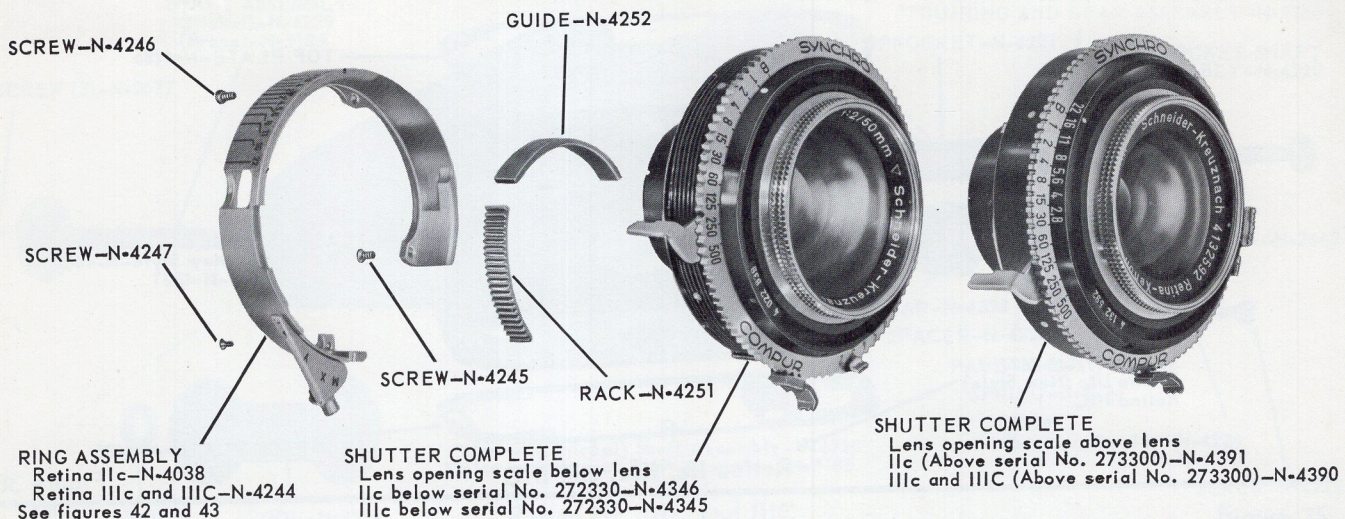


Figure 41

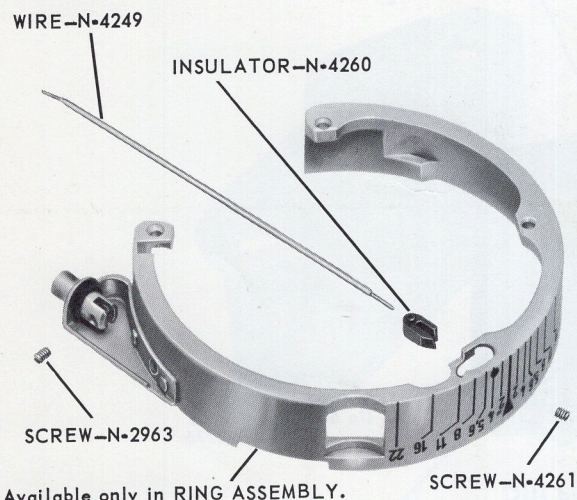


Figure 42

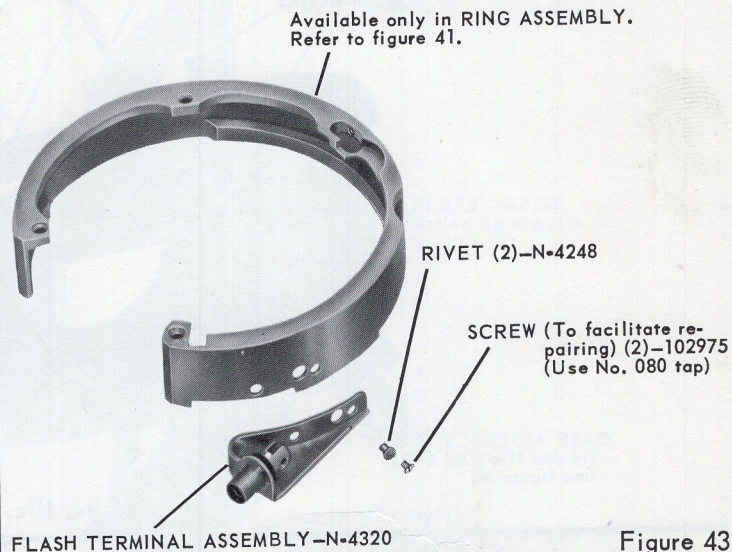


Figure 43

SHUTTER ASSEMBLY - Available only in Shutter Complete.  
Refer to figure 41.

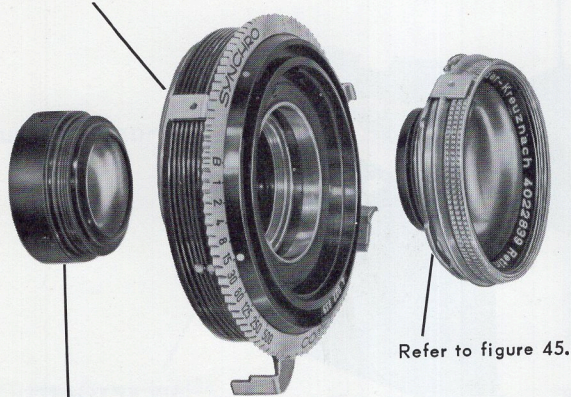


Figure 44

FRONT LENS ASSEMBLY - Return complete shutter to  
Rochester for replacement of this part.

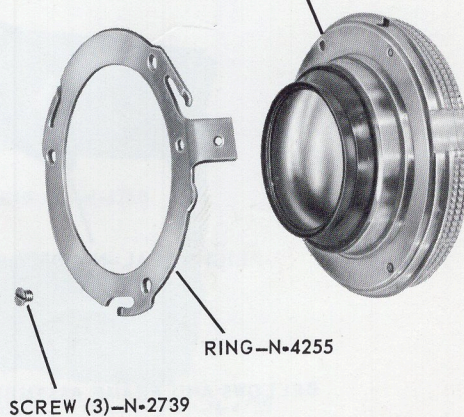


Figure 45



# KODAK RETINA IIc, IIIc, and IIIC CAMERAS

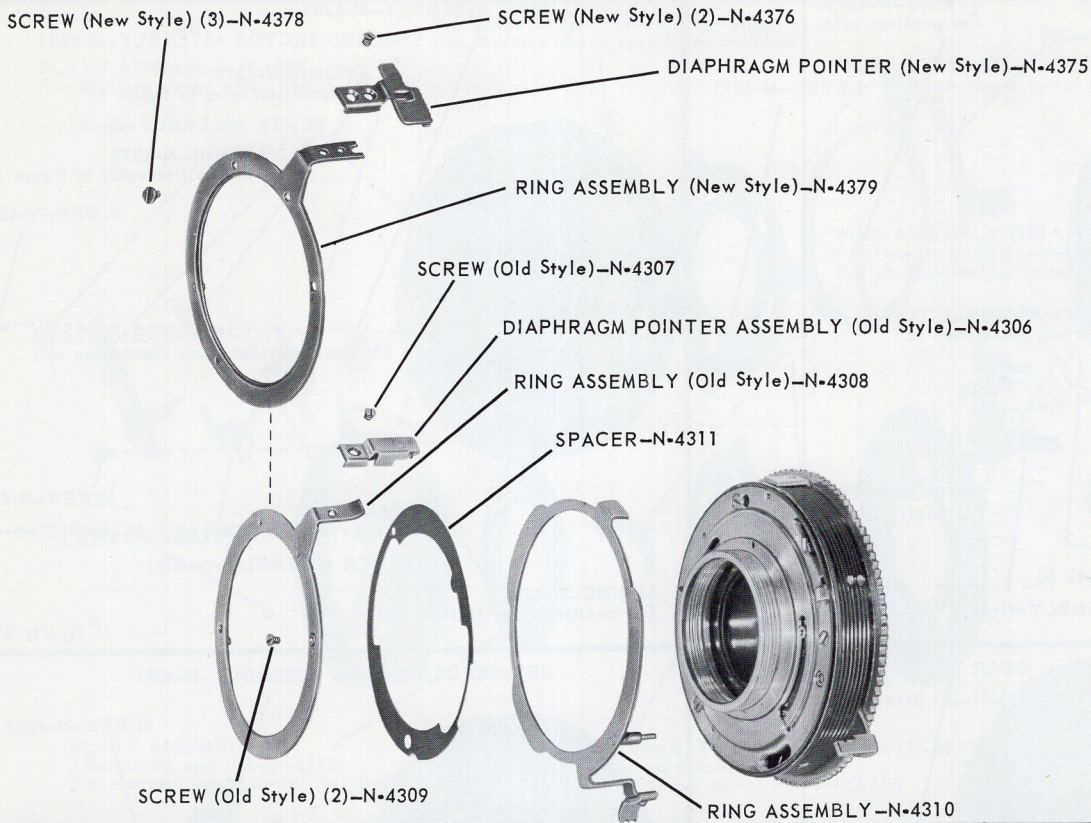


Figure 46

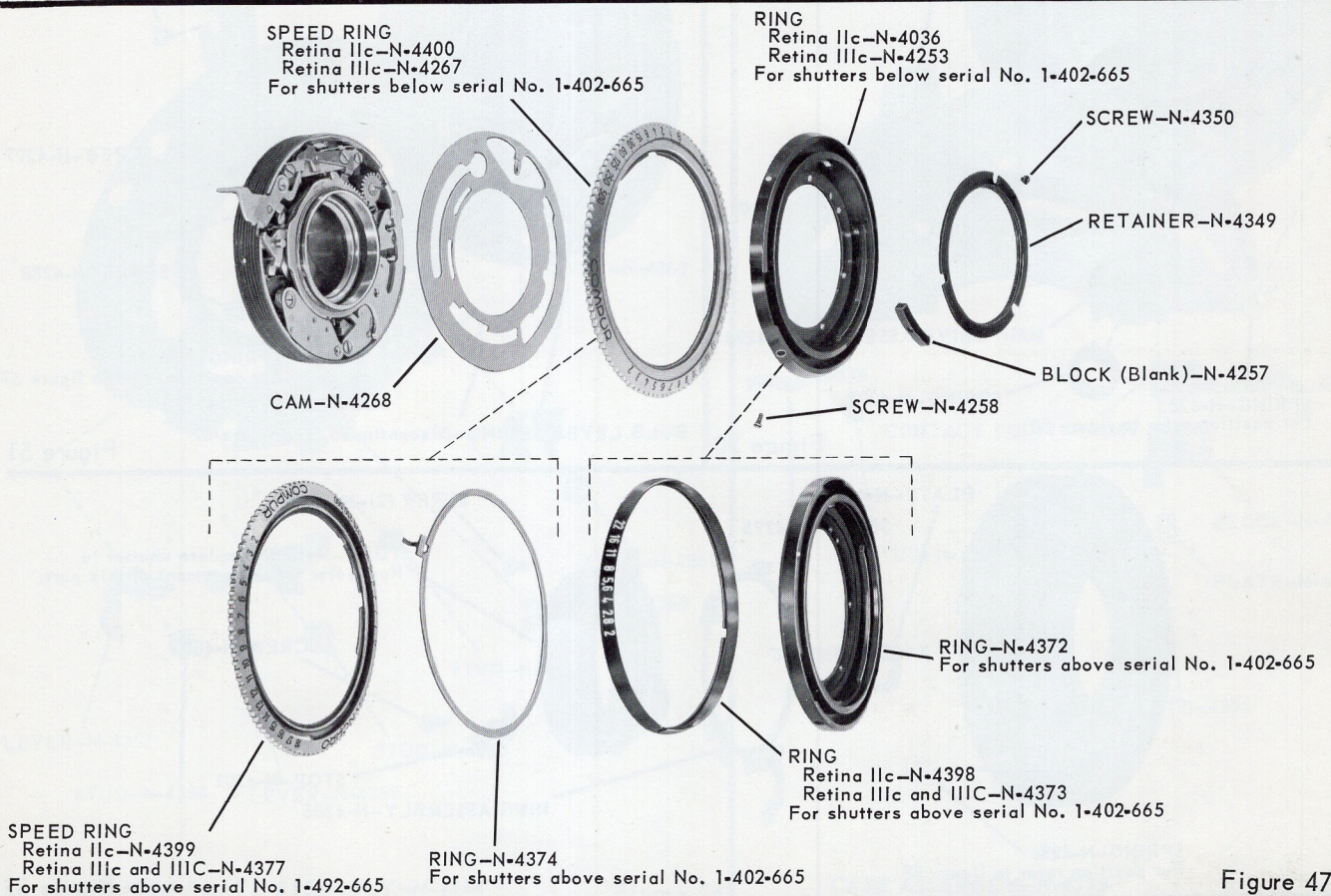


Figure 47

# KODAK RETINA IIc, IIIc, and IIIC CAMERAS

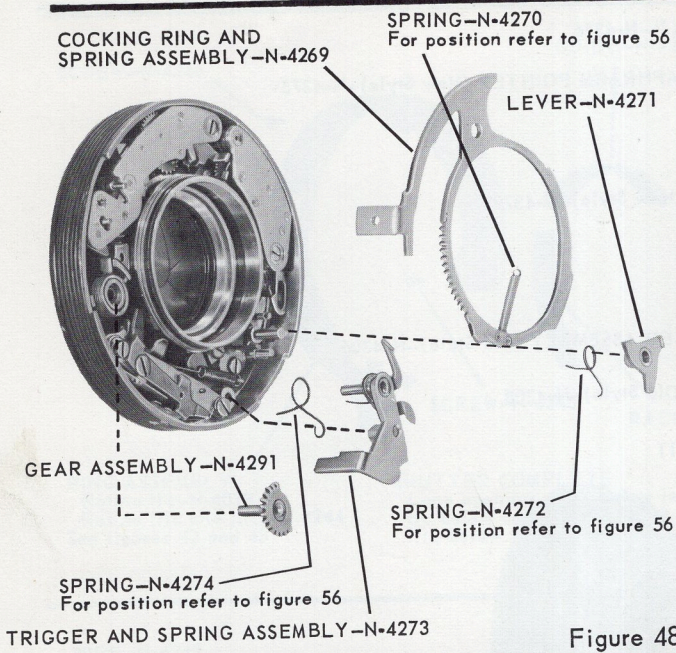


Figure 48

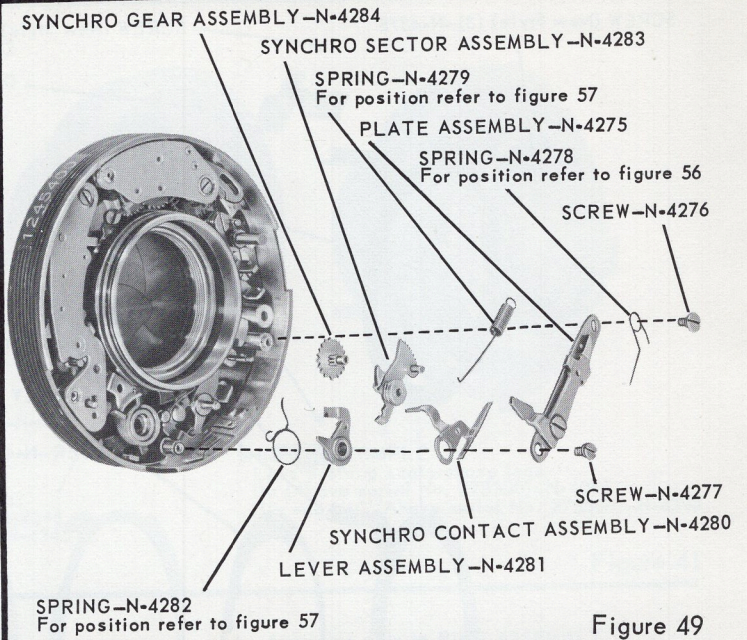


Figure 49

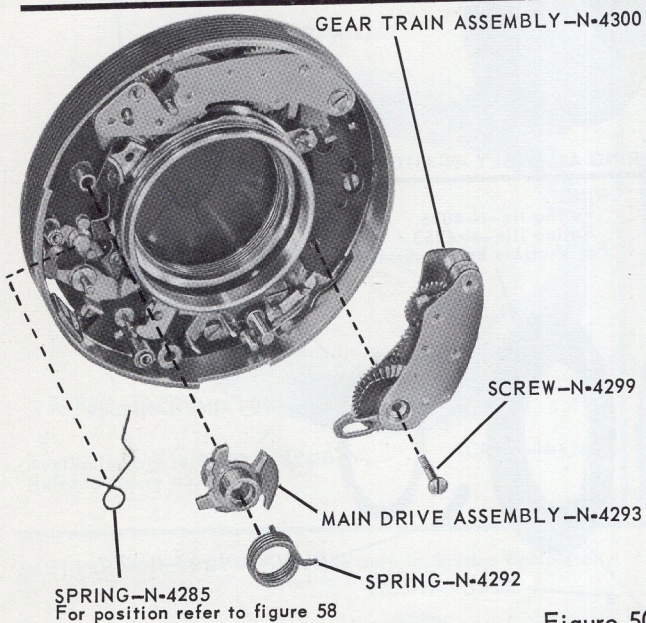


Figure 50

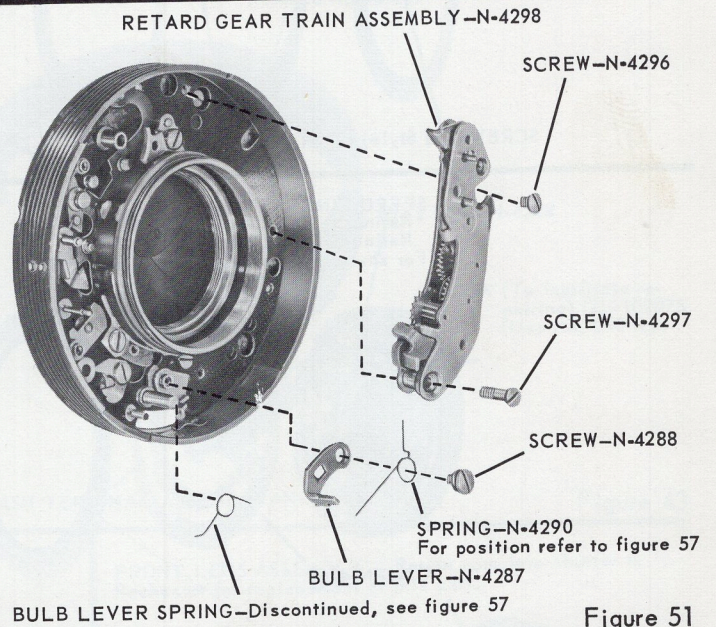


Figure 51

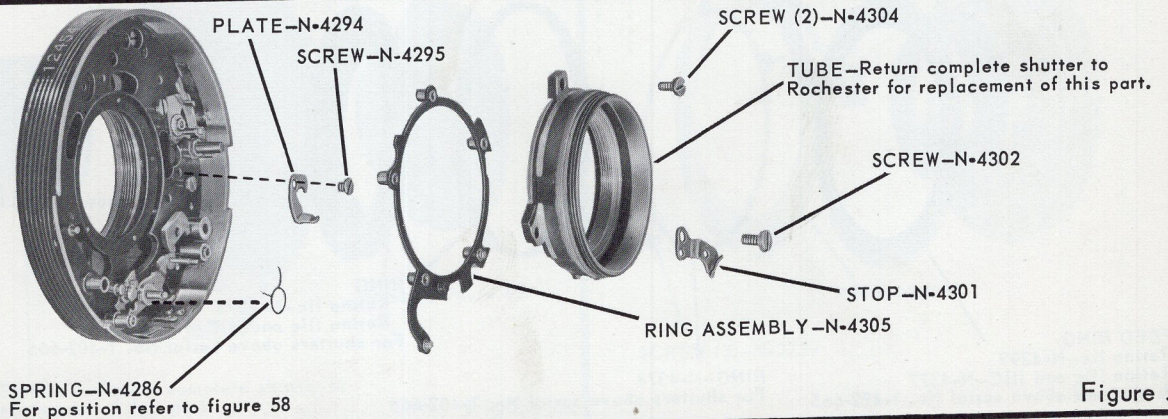


Figure 52

KODAK RETINA IIc, IIIc, and IIIC CAMERAS

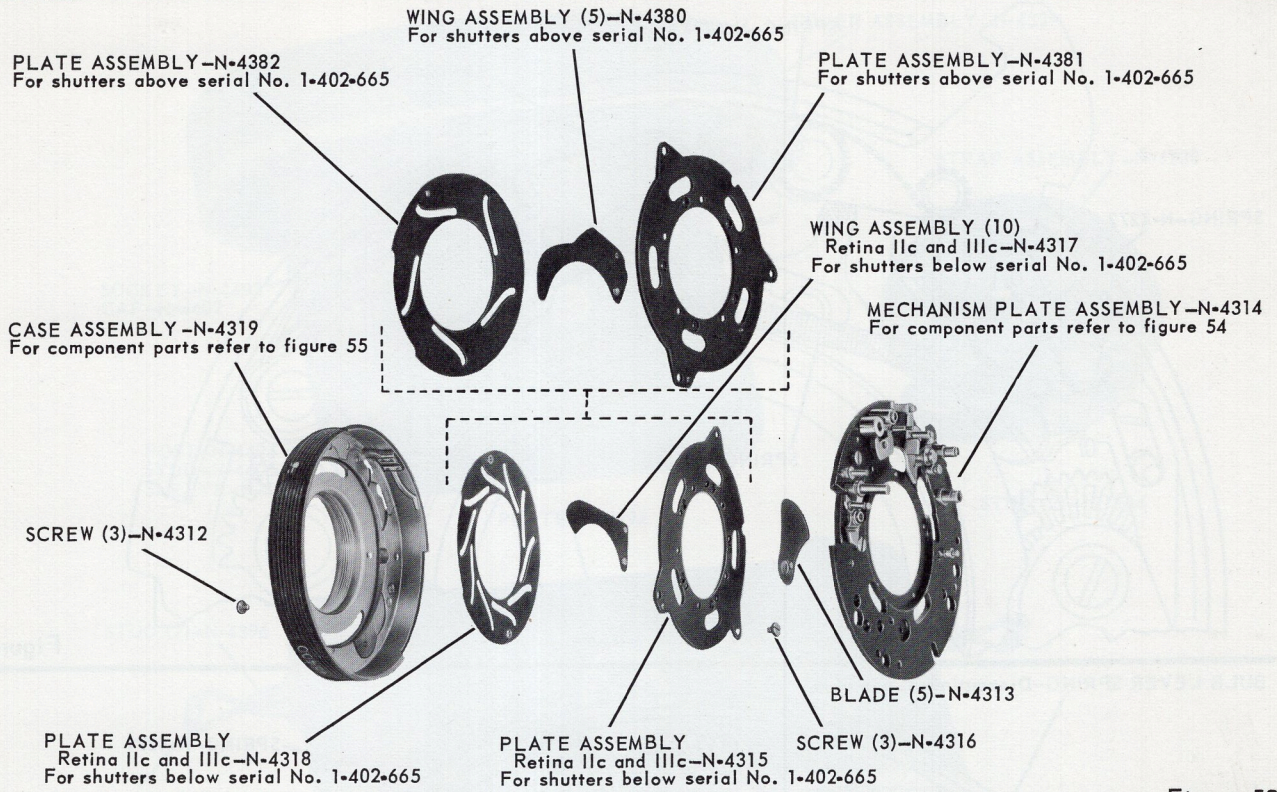
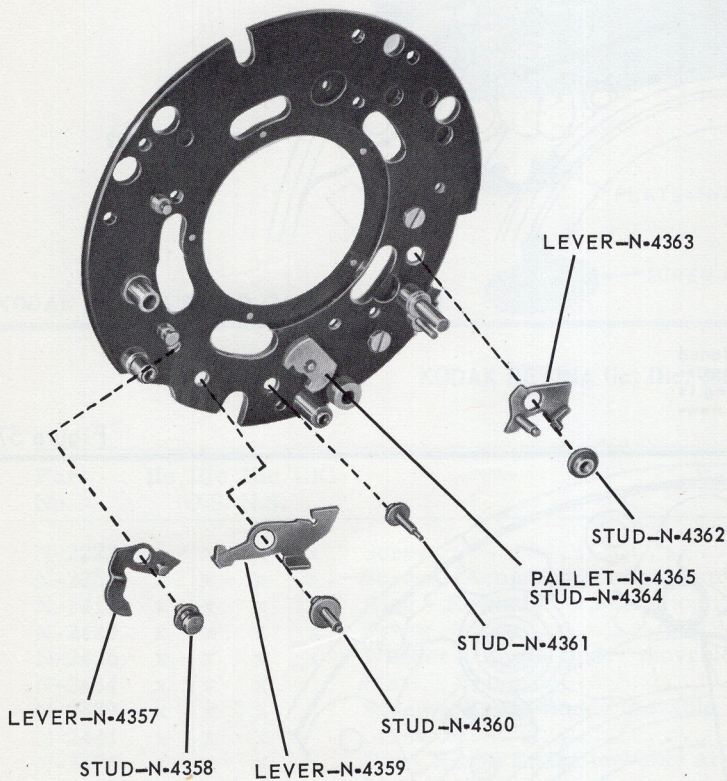
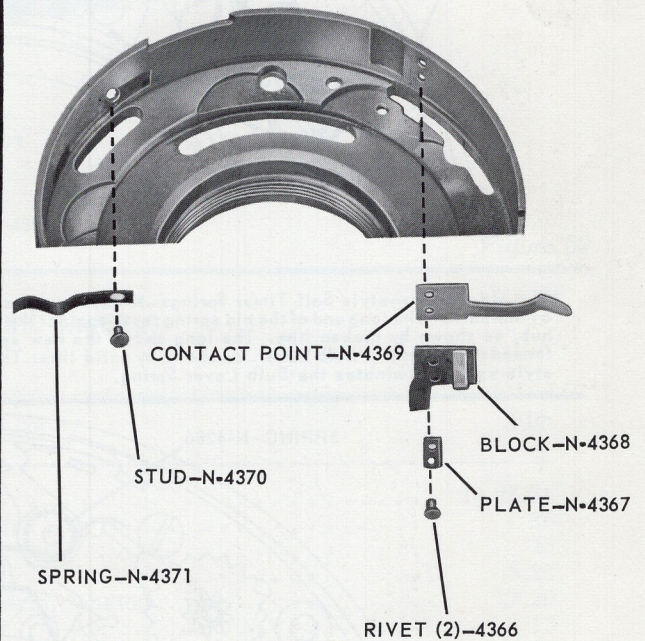


Figure 53



MECHANISM PLATE ASSEMBLY-N-4314

Figure 54



CASE ASSEMBLY-N-4319

Figure 55

KODAK RETINA IIc, IIIc, and IIIC CAMERAS

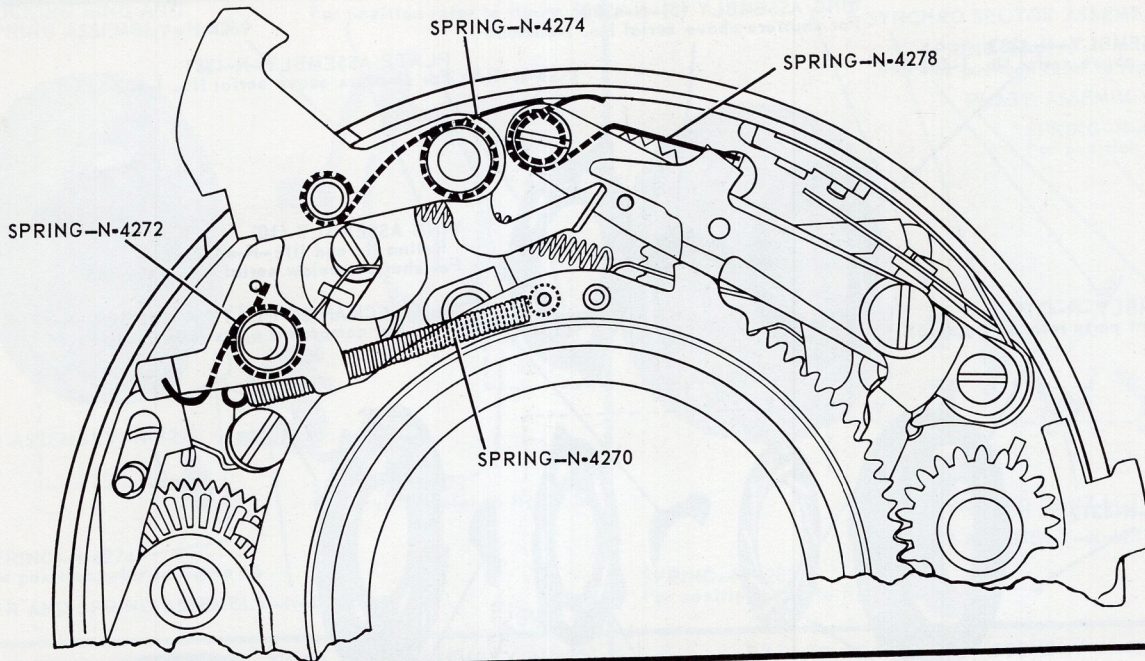
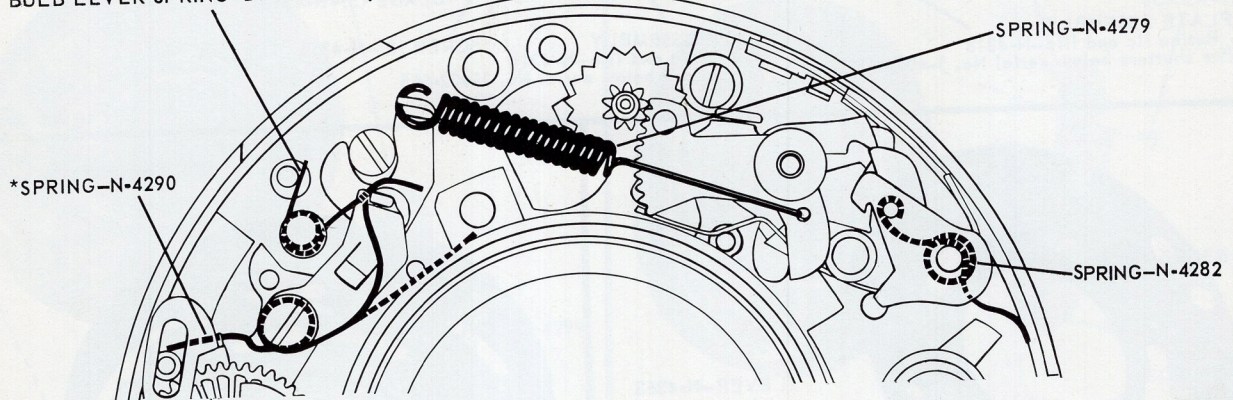


Figure 56

BULB LEVER SPRING—Discontinued, see note.



\*The old and new-style Self Timer Springs—N-4290 are positioned as indicated. The long end of the old spring rests against the shutter hub, as shown by broken line. The long end of the new spring is formed to the Control Bulb Lever, as shown by solid line. The new-style spring eliminates the Bulb Lever Spring.

Figure 57

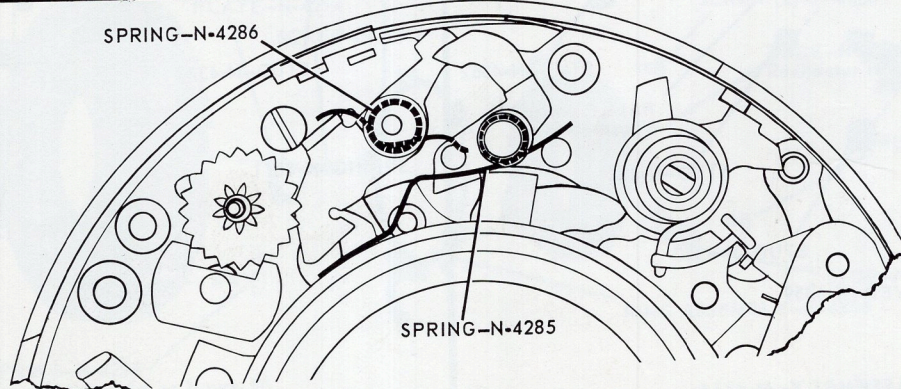
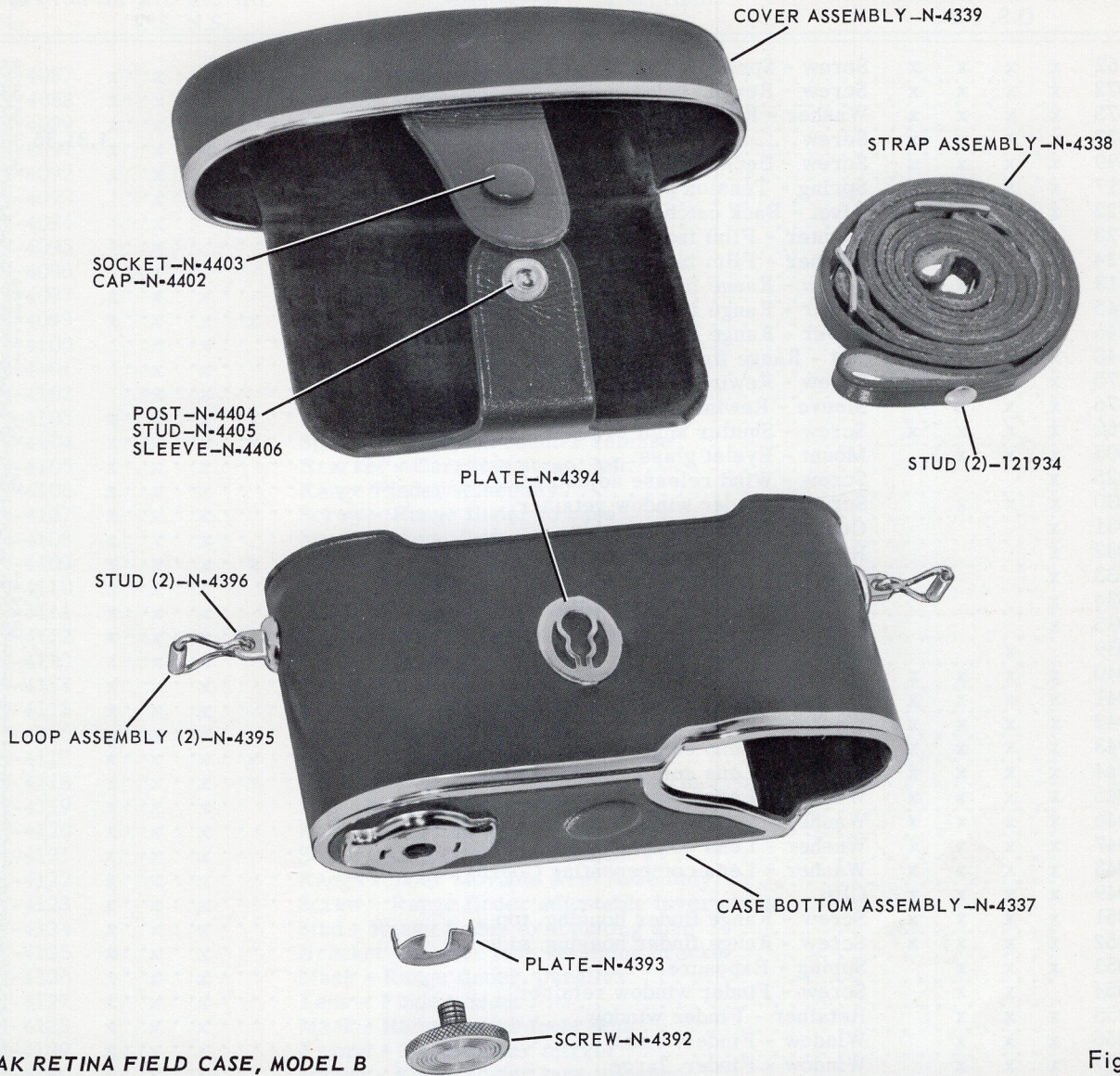


Figure 58

KODAK RETINA IIc, IIIc, and IIIC CAMERAS



KODAK RETINA FIELD CASE, MODEL B

Figure 59

KODAK RETINA IIc, IIIc, and IIIC CAMERAS

Part No.	IIc	IIIc	IIIc O.S.	IIIC N.S.	Part Name	Fig.
N-2222	x	x	x	x	Screw . . . . .	14,25,36
N-2252	x	x	x	x	Screw - Actuating arm guide plate . . . . .	36
N-2410	x	x	x	x	Ring - Rewind post extension retaining . . . . .	25
N-2423	x	x	x	x	Screw . . . . .	5,28
N-2426	x	x	x	x	Washer - Range finder movable arm, tension . . . . .	17,20
N-2434	x	x	x		Mask - Prism . . . . .	15
N-2439	x	x	x	x	Screw - Range finder movable arm, adjusting . . . . .	18,21
N-2441	x	x	x	x	Screw . . . . .	18,19
N-2476	x	x	x		Pin - Range finder movable arm . . . . .	17
N-2557	x	x	x	x	Screw - Focus ring knob . . . . .	27
N-2617	x	x	x	x	Spring - Rewind release dog . . . . .	33
N-2618	x	x	x	x	Film Tension Pad Assembly . . . . .	2
N-2640	x	x	x	x	Washer . . . . .	21,28

Always give PART NUMBER and NAME when ordering parts

## KODAK RETINA IIc, IIIc, and IIIC CAMERAS

Part No.	IIc	IIIc	IIIc O.S.	IIIC N.S.	Part Name	Fig.
N-2662	x	x	x	x	Screw - Sprocket shaft. . . . .	35
N-2672	x	x	x	x	Screw - Rewind release dog . . . . .	33
N-2675	x	x	x	x	Washer - Rewind release, bottom . . . . .	33
N-2677	x	x	x	x	Screw . . . . .	1,31,35,38
N-2699	x	x	x	x	Screw - Back latch plate . . . . .	32
N-2717	x	x	x	x	Spring - Tension pad . . . . .	2
N-2722	x	x	x	x	Rivet - Back catch . . . . .	2
N-2723	x	x	x	x	Pointer - Film indicator . . . . .	3
N-2724	x	x	x	x	Washer - Film indicator pointer, tension . . . . .	3
N-2813	x	x	x	x	Screw - Range finder actuating plate . . . . .	26
N-2845	x	x	x	x	Lever - Range finder adjusting, large . . . . .	18
N-2846	x	x	x	x	Lever - Range finder adjusting, small . . . . .	18
N-2848	x	x	x	x	Nut - Range finder to actuating arm stud . . . . .	18
N-2875	x	x	x	x	Screw - Rewind knob . . . . .	3
N-2876	x	x	x	x	Sleeve - Rewind post . . . . .	3
N-2962	x	x	x	x	Screw - Shutter shaft bracket . . . . .	39
N-4005	x	x	x	x	Mount - Eyelet glass . . . . .	8
N-4025	x	x	x	x	Screw - Wind release adjusting . . . . .	33
N-4030	x	x	x	x	Screw - Finder window retainer . . . . .	7
N-4031	x	x	x	x	Counter Advance Assembly . . . . .	5
N-4032	x	x	x	x	Range Finder Housing Assembly . . . . .	4
N-4033	x	x	x	x	Bracket - Carrying strap, right . . . . .	4
N-4034	x	x	x	x	Plate - Setting rack retaining . . . . .	14
N-4035	x	x	x	x	Film Advance Lock Assembly . . . . .	25
N-4039	x	x	x	x	Mask - Incident light . . . . .	33
N-4040	x	x	x	x	Collar - Shutter retaining . . . . .	1
N-4041	x	x	x	x	Washer - Lens compensating (.002) . . . . .	1
N-4042	x	x	x	x	Washer - Lens compensating (.0025) . . . . .	1
N-4043	x	x	x	x	Washer - Lens compensating (.008) . . . . .	1
N-4044	x	x	x	x	Washer - Lens compensating (.013) . . . . .	1
N-4045	x	x	x	x	Washer - Lens compensating (.009) . . . . .	1
N-4046	x	x	x	x	Washer - Lens compensating (.021) . . . . .	1
N-4047	x	x	x	x	Washer - Lens compensating (.032) . . . . .	1
N-4048	x	x	x	x	Washer - Lens compensating (.0315) . . . . .	1
N-4049	x	x	x	x	Clip . . . . .	5
N-4051	x	x	x	x	Screw - Range finder housing, top . . . . .	3
N-4052	x	x	x	x	Screw - Range finder housing, side . . . . .	3
N-4053	x	x	x	x	Spring - Exposure . . . . .	5
N-4054	x	x	x	x	Screw - Finder window retainer . . . . .	7
N-4055	x	x	x	x	Retainer - Finder window . . . . .	7
N-4056	x	x	x	x	Window - Finder, small . . . . .	7
N-4057	x	x	x	x	Window - Finder, large . . . . .	7
N-4058	x	x	x	x	Spacer - Finder window retainer . . . . .	7
N-4060	x	x	x	x	Retainer - Finder window . . . . .	7
N-4061	x	x	x	x	Plate - Clip reinforcing . . . . .	8
N-4062	x	x	x	x	Rivet - Clip reinforcing plate . . . . .	8,10
N-4063	x	x	x	x	Button - Counter setting . . . . .	8
N-4064	x	x	x	x	Washer - Counter setting button . . . . .	8,10
N-4065	x	x	x	x	Sleeve - Counter setting button . . . . .	8
N-4067	x	x	x	x	Counter Advance Assembly . . . . .	5
N-4070	x	x	x	x	Ratchet - Counter . . . . .	5
N-4071	x	x	x	x	Dial - Counter . . . . .	5
N-4072	x	x	x	x	Spring - Counter actuating . . . . .	6
N-4073	x	x	x	x	Rivet - Counter actuating spring . . . . .	6
N-4074	x	x	x	x	Screw - Counter advance adjusting bracket . . . . .	6
N-4075	x	x	x	x	Screw - Exposure counter, adjusting . . . . .	6
N-4076	x	x	x	x	Screw - Meter scale cam . . . . .	9
N-4078	x	x	x	x	Meter Dial Assembly . . . . .	9
N-4079	x	x	x	x	Washer - Meter dial, tension . . . . .	9
N-4081	x	x	x	x	Film Speed Indicating Dial Assembly . . . . .	9
N-4082	x	x	x	x	Screw - Film speed indicating, dial . . . . .	9
N-4083	x	x	x	x	Meter Dial Pointer Assembly . . . . .	9
N-4084	x	x	x	x	Screw - Meter dial pointer assembly . . . . .	9
N-4085	x	x	x	x	Spring - Meter dial pointer . . . . .	9
N-4086	x	x	x	x	Rack - Meter pointer . . . . .	9

KODAK RETINA IIc, IIIc, and IIIC CAMERAS

Part No.	IIc	IIIc	IIIC	Part Name	Fig.
No.	O.S.	N.S.			
N-4087	x	x	x	Washer - Counter ratchet, tension . . . . .	5
N-4088	x	x	x	Washer - Counter ratchet, spacing . . . . .	5
N-4089	x	x	x	Glass - Eyelet . . . . .	8
N-4091	x	x	x	Washer - Eyelet glass . . . . .	8
N-4092	x	x	x	Bushing - Body release . . . . .	5
N-4093		x		Window - Meter dial . . . . .	9
N-4094		x		Retainer - Meter dial cover . . . . .	9
N-4095		x		Rivet - Meter dial cover retainer . . . . .	9
N-4096		x		Range Finder Housing Assembly . . . . .	4,9
N-4097	x	x	x	Button - Body release . . . . .	3
N-4099	x	x	x	Screw . . . . .	13,14
N-4100		x	x	Spring - Exposure meter cover hinge . . . . .	13
N-4101		x	x	Pin - Exposure meter cover hinge . . . . .	13
N-4102		x	x	Cover - Exposure meter . . . . .	13
N-4103	x	x	x	Wind and Counter Release Assembly . . . . .	14
N-4104	x	x	x	Spring - Wind and counter release . . . . .	14
N-4105	x	x	x	Bracket - Carrying strap, left. . . . .	14
N-4106	x	x	x	Range Finder Assembly . . . . .	14,15
N-4107	x	x	x	Screw - Range finder to case . . . . .	14
N-4108	x	x	x	Mask - Range finder eyelet. . . . .	15
N-4109	x	x	x	Screw . . . . .	15,26
N-4110	x	x	x	Lens - Range finder eyelet. . . . .	15
N-4111	x	x	x	Screw - Range finder, halving adjusting . . . . .	15
N-4112	x	x	x	Range Finder Prism Assembly . . . . .	15,16
N-4113	x	x	x	Mask - Prism . . . . .	16
N-4114	x	x	x	Prism - Range finder . . . . .	16
N-4115	x	x	x	Screw - Range finder prism . . . . .	16
N-4116	x	x	x	Spring - Range finder movable arm . . . . .	17
N-4117	x	x	x	Screw - Range finder movable arm . . . . .	17,20
N-4118	x	x	x	Bearing - Range finder movable arm . . . . .	17,20
N-4119	x	x	x	Nut - Range finder movable arm screw. . . . .	17
N-4120	x	x	x	Range Finder Lens Assembly . . . . .	18
N-4121	x	x	x	Screw - Objective lens bracket . . . . .	18
N-4122	x	x	x	Range Finder Movable Arm Assembly . . . . .	18
N-4123	x	x	x	Screw - Range finder adjustable lever pivot. . . . .	18
N-4124	x	x	x	Stud - Range finder to actuating arm . . . . .	18
N-4125	x	x	x	Bracket - Finder lens retaining bracket . . . . .	19
N-4126	x	x	x	Mask - Range finder, parallax. . . . .	19
N-4127	x	x	x	Lens - Finder, front . . . . .	19
N-4128	x	x	x	Mask - Range finder front lens . . . . .	19
N-4129	x	x	x	Frame - Front finder mirror . . . . .	19
N-4130	x	x	x	Spring - Range finder lens, tension . . . . .	19
N-4131	x	x	x	Guard - Transparent mirror. . . . .	15
N-4132	x	x	x	Spring - Transparent mirror, retaining . . . . .	15
N-4133	x	x	x	Mirror - Transparent . . . . .	15
N-4134	x	x	x	Range Finder Body Assembly . . . . .	19
N-4135	x	x	x	Mask - Finder dividing . . . . .	19
N-4137	x	x	x	Post - Rewind . . . . .	25
N-4138	x	x	x	Extension - Rewind post. . . . .	25
N-4139		x	x	Bracket - Carrying strap, right. . . . .	14
N-4140	x	x	x	Screw - Bed hinge. . . . .	28
N-4141	x	x	x	Bed and Arms Assembled. . . . .	28
N-4142	x	x	x	Button - Bed latch. . . . .	29
N-4143	x	x	x	Pin - Bed latch. . . . .	29
N-4144	x	x	x	Spring - Bed latch. . . . .	29
N-4145	x	x	x	Covering - Bed, front . . . . .	29
N-4146	x	x	x	Covering - Bed, side . . . . .	29
N-4147	x	x	x	Arm - Bed, top. . . . .	28
N-4148	x	x	x	Arm - Bed, bottom . . . . .	28
N-4150		x		Spacer - Body release push rod. . . . .	30
N-4152	x	x	x	Washer - Body release push rod, spacing . . . . .	30
N-4153	x	x	x	Sleeve - Body release trip . . . . .	30
N-4154	x	x	x	Spring - Body release trip sleeve . . . . .	30
N-4155	x	x	x	Stud - Range finder actuating arm . . . . .	26
N-4156	x	x	x	Range Finder Actuating Plate Assembly . . . . .	26

KODAK RETINA IIc, IIIc, and IIIC CAMERAS

Part No.	IIc	IIIc	IIIc	IIIC	Part Name	Fig.
		O.S.	N.S.			
N-4158	x	x	x	x	Ring - Focus . . . . .	27
N-4159	x	x	x	x	Knob - Focus ring. . . . .	27
N-4160	x	x	x	x	Scale - Focus, . . . . .	27
N-4161	x	x	x	x	Scale - Focus, (For Longar and Curtar Lens Components). . . . .	27
N-4162	x	x	x	x	Screw - Focus scale retaining. . . . .	27
N-4163	x	x	x	x	Cover - Shutter setting gear (Old style) . . . . .	26
N-4164	x	x	x	x	Screw - Shutter setting gear. . . . .	26
N-4166	x	x	x	x	Bearing - Shutter setting gear. . . . .	26
N-4167	x	x	x	x	Screw - Front bellows frame . . . . .	28
N-4168	x	x	x	x	Frame - Front bellows . . . . .	40
N-4169	x	x	x	x	Bellows and Frame Assembly . . . . .	40
N-4170	x	x	x	x	Screw - Focus barrel to front. . . . .	28
N-4171	x	x	x	x	Focus Barrel Assembly . . . . .	28
N-4172	x	x			Arm - Shutter trip . . . . .	30
N-4173	x	x	x	x	Screw - Shutter trip arm, large. . . . .	30
N-4174	x	x	x	x	Screw. . . . .	20,30
N-4175	x	x	x	x	Plate - Shutter trip arm. . . . .	30
N-4176	x	x	x	x	Guide - Wind and counter release . . . . .	25
N-4177		x	x	x	Plate - Setting rack, retaining. . . . .	25
N-4178	x	x	x	x	Screw. . . . .	13,25
N-4179	x	x	x	x	Rack - Setting . . . . .	25
N-4180	x	x	x	x	Ring - Tripod socket, outer . . . . .	31
N-4181	x	x	x	x	Spring - Back latch button guard . . . . .	31
N-4182	x	x	x	x	Screw - Tripod socket. . . . .	31
N-4183	x	x	x	x	Socket - Tripod . . . . .	31
N-4184	x	x	x	x	Bearing - Casette. . . . .	31
N-4185	x	x	x	x	Seal - Light. . . . .	40
N-4187	x	x	x		Plate - Actuating arm guide . . . . .	36
N-4188	x	x	x	x	Button - Front release. . . . .	36
N-4189	x	x	x	x	Spring - Front release button . . . . .	36
N-4191	x	x	x	x	Bracket - Shutter setting gear and shaft assembly . . . . .	39
N-4192	x	x	x	x	Shutter Setting Gear and Shaft Assembly. . . . .	39
N-4193	x	x	x	x	Button - Back latch. . . . .	32
N-4194	x	x	x	x	Spring - Back latch button . . . . .	32
N-4195	x	x	x	x	Plate - Back latch. . . . .	32
N-4196	x	x	x	x	Latch - Back . . . . .	32
N-4197	x	x	x	x	Stud - Back latch guide . . . . .	32
N-4198	x	x	x		Covering - Case, end. . . . .	39
N-4199	x	x	x		Covering - Case, bottom . . . . .	31
N-4200	x	x	x		Covering - Winding lever. . . . .	31
N-4201	x	x	x	x	Screw - Winding lever. . . . .	31
N-4202	x	x	x	x	Winding Lever Assembly . . . . .	31
N-4203	x	x	x		Spacer - Winding lever . . . . .	31
N-4204	x	x			Bottom Mechanism Cover Plate Assembly. . . . .	31
N-4205		x	x	x	Film Advance Lock Assembly. . . . .	33
N-4206	x	x	x	x	Spring - Film advance lock assembly. . . . .	33
N-4207	x	x	x	x	Retainer - Film advance lock spring . . . . .	33
N-4208	x	x	x	x	Wind Release Assembly. . . . .	33
N-4209		x	x	x	Screw - Wind release adjusting. . . . .	33
N-4210	x	x	x	x	Spring - Wind release . . . . .	33
N-4211	x	x	x	x	Spring - Wind release throw-out . . . . .	33
N-4212	x	x	x	x	Screw - Drive mechanism to wind shaft . . . . .	34
N-4213	x	x	x	x	Gear - Winding shaft. . . . .	34
N-4214	x	x	x	x	Spacer - Winding shaft pinion . . . . .	34
N-4215	x	x	x	x	Pawl - Winding shaft. . . . .	34
N-4216	x	x	x	x	Cam - Winding shaft . . . . .	34
N-4217	x	x	x	x	Spring - Wind shaft cam, tension. . . . .	34
N-4218	x	x	x	x	Gear - Film advance drive. . . . .	34
N-4219	x	x	x	x	Button - Rewind release. . . . .	33
N-4220	x	x	x	x	Sprocket Shaft Assembly . . . . .	35
N-4221	x	x	x	x	Sprocket . . . . .	35
N-4222	x	x	x	x	Screw - Drive gear pawl . . . . .	35
N-4223	x	x	x	x	Pawl - Drive gear. . . . .	35
N-4224	x	x	x	x	Spring - Drive gear pawl . . . . .	35
N-4225	x	x	x	x	Spacer - Drive gear pawl. . . . .	35



KODAK RETINA IIc, IIIc, and IIIC CAMERAS

Part No.	IIc	IIIc	IIIC	Part Name	Fig.
	O.S.	N.S.	IIIC		
N-4226	x	x	x	Screw - Setting rack guide (Shoulder dia. 119)	35
N-4227	x	x	x	Bushing and Gear Assembly	35
N-4228	x	x	x	Dog - Rewind release	33
N-4229	x	x	x	Winding Shaft Assembly (Nickel)	35
N-4230	x	x	x	Bushing - Take-up spool	35
N-4231	x	x	x	Spool - Take-up	35
N-4232	x	x		Case Assembly	39
N-4233	x	x	x	Socket - Flashholder positioning	40
N-4234	x	x	x	Back Assembly	1,2
N-4235	x	x	x	Rivet - Hinge to back	2
N-4236	x	x	x	Back Hinge Assembly	2
N-4237	x	x	x	Covering - Back	2
N-4238	x	x	x	Catch - Back	2
N-4239	x	x	x	Rivet - Film tension pad spring	2
N-4240	x	x	x	Bracket - Film roller	2
N-4241	x	x	x	Rivet - Film roller bracket	2
N-4242	x	x	x	Spacer - Back retaining plate	25
N-4243			x	Exposure Meter Assembly	4A
N-4321	x	x	x	Screw - Tripod socket outer ring	31
N-4322	x	x	x	Guard - Back latch button	31
N-4323	x	x	x	Mask - Finder, rear	19
N-4324	x	x	x	Frame - Rear finder mirror	19
N-4325	x	x	x	Spring - Rewind release button	33
N-4353			x	Glass - Meter	4A
N-4354	x	x	x	Gear - Clutch	35
N-4355	x	x	x	Spring - Clutch, pressure	35
N-4356	x	x	x	Clutch	35
N-4383			x	Shutter Trip Arm Assembly	30
N-4384			x	Spring - Shutter trip arm	30
N-4385			x	Screw - Shutter trip arm spring	30
N-4412	x	x	x	Screw - Setting rack guide (Shoulder dia. 130)	35
N-4466	x	x	x	Bearing - Counter	5
N-4467		x		Counter Dial and Cam Assembly	9
N-4476	x	x		Rewind Knob Assembly	3
N-4483	x	x	x	Gear - Shutter setting, new style	26
N-4484	x	x	x	Front - New style	36,37
N-4485	x	x	x	Plate - Bottom	38
N-4486	x	x	x	Plate - Top	38
N-4487	x		x	Case Assembly	38
N-4492	x	x	x	Cover - Shutter setting gear, new style	26
N-4503			x	O.S. Meter Assembly	4A
N-4512			x	Sleeve - Rewind post	3
N-4528			x	Screw - Film dial	11
N-4530			x	Covering - Winding lever	31
N-4547	x	x	x	Pin - Back hinge	2
N-4548			x	Retainer - Range finder housing window	10
N-4554			x	Mask - Eyelet glass	10
N-4560			x	Washer - Film dial screw	11
N-4580	x	x	x	Spring - New style bearing	25
N-4611			x	Bracket - Carrying strap, left	14
N-4613	x	x	x	Plate - Back	2
N-4615			x	Washer - Film scale, tension	11
N-4617			x	Screw - Meter guide	12
N-4634	x	x	x	Bumper - Winding lever	31
N-4645			x	Scale - Film	11
N-4646			x	Dial - Film	11
N-4656			x	Mask - Incident light	1
N-4659			x	Window - Range finder housing	10
N-4662			x	Dial - Film	11
N-4734			x	Bracket - Carrying strap, right	14
N-4735			x	Range Finder Housing Assembly	4
N-4743			x	Screw - Rewind knob	3
N-4744	x	x	x	Push Rod Assembly	30
N-4759	x	x	x	Front Guide Assembly (New style)	36,37
N-4760	x	x	x	Bushing - Front guide	37

## KODAK RETINA IIc, IIIc, and IIIC CAMERAS

Part No.	IIc	IIIc	IIIc	IIIC	Part Name	Fig.
	O.S.	N.S.				
N-4773			x		Covering - Case, bottom . . . . .	31
N-4776			x		Covering - Case, end. . . . .	39
N-4777			x		Covering - Bed, front . . . . .	29
N-4778			x		Covering - Bed, end . . . . .	29
N-4779			x		Covering - Back. . . . .	2
N-4781			x		Range Finder Housing Assembly . . . . .	4,10,11
N-4782			x		Spring - Film counter advance . . . . .	5,10
N-4783			x		Film Counter Advance Assembly. . . . .	5
N-4784			x		Mount - Eyelet lens. . . . .	10
N-4785			x		Glass - Eyelet . . . . .	10
N-4787			x		Window - Range finder housing . . . . .	10
N-4788			x		Plate - Range finder window, retaining. . . . .	10
N-4789			x		Plate - Clip reinforcing. . . . .	10
N-4792	x	x	x	x	Bearing - Rewind post, new style. . . . .	25
N-4793	x	x	x	x	Rewind Post Assembly. . . . .	25
N-4796			x		Range Finder Assembly. . . . .	14,20
N-4797			x		Mirror - Range finder . . . . .	23
N-4798			x		Plate - Range finder mirror. . . . .	23
N-4799			x		Spring - Range finder . . . . .	20
N-4801			x		Lever - Range finder. . . . .	21
N-4803			x		Stud - Range finder . . . . .	21
N-4804			x		Nut - Range finder . . . . .	21
N-4806			x		Range Finder Arm Assembly . . . . .	21
N-4809			x		Range Finder Lens and Arm Assembly. . . . .	20,20A
N-4813			x		Range Finder Mask Assembly. . . . .	23
N-4814			x		Range Finder Tube and Lens Assembly. . . . .	24
N-4815			x		Lens - Range finder . . . . .	24
N-4818			x		Retainer - Range finder lens. . . . .	22
N-4820			x		Body - Range finder . . . . .	24
N-4821			x		Case Assembly. . . . .	38
N-4822			x		Back Assembly. . . . .	1,2
N-4823			x		Bed and Arms Assembled. . . . .	28
N-4824			x		Button - Body release . . . . .	3
N-4860			x		Rewind Knob Assembly . . . . .	3
N-4880		x	x	x	Glass - Meter . . . . .	4A
N-4882			x		Pad - Range finder housing. . . . .	10
N-4883			x		N.S. Meter Assembly. . . . .	4A
N-4885			x		Guide - Body release (New style). . . . .	12
N-4893			x		Rivet . . . . .	10
N-4919			x		Button - Counter setting. . . . .	10
N-4920			x		Sleeve - Counter setting button . . . . .	10,20A
N-4921	x	x	x	x	Roller - Film. . . . .	2
N-4928			x		Screw - Range finder to case . . . . .	14
N-4929			x		Range Finder Lens Assembly . . . . .	20A
N-4937			x		Screw - Range finder lens frame . . . . .	20A
N-4942			x		Plate - Beam splitter retaining. . . . .	22
N-4943			x		Beam Splitter - Range finder . . . . .	22
N-4945			x		Screw. . . . .	22,23
N-4956			x		Lens - Range finder . . . . .	22
N-4958			x		Screw. . . . .	21,22,24
N-4960			x		Washer. . . . .	21,23
N-5181	x	x	x	x	Gear - Winding shaft. . . . .	34
N-5182	x	x	x	x	Spacer - Winding shaft pinion . . . . .	34
N-5183	x	x	x	x	Pawl - Winding shaft. . . . .	34
N-5184	x	x	x	x	Gear - Film advance drive. . . . .	34
N-5185	x	x	x	x	Winding Shaft Assembly. . . . .	35
N-5260	x	x	x	x	Bushing and Gear Assembly . . . . .	35
N-5352			x		Plate - Adjusting (.012) . . . . .	23
N-5353			x		Plate - Adjusting (.002) . . . . .	23
N-5354			x		Plate - Adjusting (.004) . . . . .	23
N-5533			x	x	Strip - Back. . . . .	2

### SYNCHRO COMPUR SHUTTER FOR RETINA IIc, IIIc, IIIC CAMERAS

N-2739	x	x	x	x	Screw - Lens lock ring to front lens assembly . . . . .	45
--------	---	---	---	---	---	----

SYNCHRO COMPUR SHUTTER FOR RETINA IIc, IIIc, IIIC CAMERAS

Part No.	IIc	IIIc O.S.	IIIc N.S.	IIIC	Part Name	Fig.
N-2963	x	x	x	x	Screw - Terminal wire to flash terminal assembly . . . . .	42
N-4036	x				Ring - Mounting (For shutters below serial No. 1-402-665) . . . . .	47
N-4038	x				Ring Assembly . . . . .	41
N-4244		x	x	x	Ring Assembly . . . . .	41
N-4245	x	x	x	x	Screw - Ring assembly to shutter case . . . . .	41
N-4246	x	x	x	x	Screw - Shutter locating . . . . .	41
N-4247	x	x	x	x	Screw - Ring assembly to shutter case . . . . .	41
N-4248	x	x	x	x	Rivet - Flash terminal assembly to ring . . . . .	43
N-4249	x	x	x	x	Wire - Terminal . . . . .	42
N-4251	x	x	x	x	Rack - Setting . . . . .	41
N-4252	x	x	x	x	Guide . . . . .	41
N-4253		x	x		Ring - Shutter Mounting (For shutters below serial No. 1-402-665). . . . .	47
N-4255	x	x	x	x	Ring - Lens lock . . . . .	45
N-4257	x	x	x	x	Block - Lens serial number (blank) . . . . .	47
N-4258	x	x	x	x	Screw - Lens serial number block . . . . .	47
N-4260	x	x	x	x	Insulator . . . . .	42
N-4261	x	x	x	x	Screw - Insulator to ring . . . . .	42
N-4267		x	x		Ring - Speed (For shutters below serial No. 1-402-665). . . . .	47
N-4268	x	x	x	x	Cam - Speed . . . . .	47
N-4269	x	x	x	x	Cocking Ring and Spring Assembly . . . . .	48
N-4270	x	x	x	x	Spring - Cocking ring . . . . .	48
N-4271	x	x	x	x	Lever - DEP and timer lock . . . . .	48
N-4272	x	x	x	x	Spring - DEP and timer lock lever . . . . .	48
N-4273	x	x	x	x	Trigger and Spring Assembly . . . . .	48
N-4274	x	x	x	x	Spring - Trigger . . . . .	48
N-4275	x	x	x	x	Synchro Cover Plate Assembly . . . . .	49
N-4276	x	x	x	x	Screw - Synchro cover plate, lower . . . . .	49
N-4277	x	x	x	x	Screw - Synchro cover plate, upper . . . . .	49
N-4278	x	x	x	x	Spring - Main drive lock . . . . .	49
N-4279	x	x	x	x	Spring - Synchro gear . . . . .	49
N-4280	x	x	x	x	Synchro Contact Assembly . . . . .	49
N-4281	x	x	x	x	Synchronizing Lever Assembly . . . . .	49
N-4282	x	x	x	x	Spring - Synchronizing lever . . . . .	49
N-4283	x	x	x	x	Synchro Sector Assembly . . . . .	49
N-4284	x	x	x	x	Synchro Gear Assembly . . . . .	49
N-4285	x	x	x	x	Spring - Blade controller check . . . . .	50
N-4286	x	x	x	x	Spring - Synchro lock . . . . .	52
N-4287	x	x	x	x	Lever - Bulb . . . . .	51
N-4288	x	x	x	x	Screw - Bulb lever . . . . .	51
N-4290	x	x	x	x	Spring - Self timer . . . . .	51
N-4291	x	x	x	x	Cocking Ring Gear Assembly . . . . .	48
N-4292	x	x	x	x	Spring - Main drive . . . . .	50
N-4293	x	x	x	x	Main Drive Assembly . . . . .	50
N-4294	x	x	x	x	Plate - Synchro gear spring anchor . . . . .	52
N-4295	x	x	x	x	Screw - Synchro gear spring anchor plate . . . . .	52
N-4296	x	x	x	x	Screw - Retard gear train, short . . . . .	51
N-4297	x	x	x	x	Screw - Retard gear train, long . . . . .	51
N-4298	x	x	x	x	Retard Gear Train Assembly . . . . .	51
N-4299	x	x	x	x	Screw - Self-timer gear train . . . . .	50
N-4300	x	x	x	x	Self-timer Gear Train Assembly . . . . .	50
N-4301	x	x	x	x	Stop - Main drive gear . . . . .	52
N-4302	x	x	x	x	Screw - Main drive gear stop . . . . .	52
N-4304	x	x	x	x	Screw - Shutter front tube . . . . .	52
N-4305	x	x	x	x	Blade Controller Ring Assembly . . . . .	52
N-4306	x	x	x	x	Diaphragm Pointer Assembly (old style) . . . . .	46
N-4307	x	x	x	x	Screw - Diaphragm pointer (old style) . . . . .	46
N-4308	x	x	x	x	Diaphragm Control Ring Assembly (old style) . . . . .	46
N-4309	x	x	x	x	Screw - Diaphragm control ring assembly (old style) . . . . .	46
N-4310	x	x	x	x	Synchro Selector Ring Assembly . . . . .	46
N-4311	x	x	x	x	Spacer - Diaphragm control ring . . . . .	46
N-4312	x	x	x	x	Screw - Case . . . . .	53
N-4313	x	x	x	x	Blade - Shutter . . . . .	53
N-4314	x	x	x	x	Mechanism Plate Assembly . . . . .	53
N-4315	x	x	x		Diaphragm Retainer Plate Assembly (For shutters below serial No. 1-402-665) . . . . .	53

SYNCHRO COMPUR SHUTTER FOR RETINA IIc, IIIc, IIIC CAMERAS

Part No.	IIc	IIIc	IIIc	IIIC	Part Name	Fig.
	O.S.	N.S.	N.S.			
N-4316	x	x	x	x	Screw - Diaphragm retainer plate . . . . .	53
N-4317	x	x	x		Diaphragm Wing Assembly (For shutters below serial No. 1-402-665)	53
N-4318	x	x	x		Diaphragm Control Plate Assembly (For shutters below serial No. 1-402-665) . . . . .	53
N-4319	x	x	x	x	Case Assembly. . . . .	53
N-4320	x	x	x	x	Flash Terminal Assembly . . . . .	43
N-4345		x	x		Shutter Complete (Lens opening scale below lens) for Cameras below Serial No. 272330 . . . . .	41
N-4346	x				Shutter Complete (Lens opening scale below lens) for Cameras below Serial No. 272330 . . . . .	41
N-4349	x	x	x	x	Retainer - Front lens mount. . . . .	47
N-4350	x	x	x	x	Screw - Front lens mount. . . . .	47
N-4357	x	x	x	x	Lever - Synchro lock. . . . .	54
N-4358	x	x	x	x	Stud - Synchro lever . . . . .	54
N-4359	x	x	x	x	Lever - Synchro. . . . .	54
N-4360	x	x	x	x	Stud - Synchro lever . . . . .	54
N-4361	x	x	x	x	Stud - Synchro gear. . . . .	54
N-4362	x	x	x	x	Stud - Time release lever . . . . .	54
N-4363	x	x	x	x	Lever - Time release . . . . .	54
N-4364	x	x	x	x	Stud - Pallet . . . . .	54
N-4365	x	x	x	x	Pallet. . . . .	54
N-4366	x	x	x	x	Rivet - Contact plate. . . . .	55
N-4367	x	x	x	x	Plate - Contact. . . . .	55
N-4368	x	x	x	x	Block - Contact . . . . .	55
N-4369	x	x	x	x	Point - Contact. . . . .	55
N-4370	x	x	x	x	Stud - Synchro selector tension spring . . . . .	55
N-4371	x	x	x	x	Spring - Synchro selector tension . . . . .	55
N-4372	x	x	x	x	Ring - Mounting (For shutters above serial No. 1-402-665) . . . . .	47
N-4373		x	x	x	Ring - Diaphragm index (For shutters above serial No. 1-402-665) . . . . .	47
N-4374	x	x	x	x	Ring - Diaphragm (For shutters above serial No. 1-402-665) . . . . .	47
N-4375	x	x	x	x	Pointer - Diaphragm (new style) . . . . .	46
N-4376	x	x	x	x	Screw - Diaphragm pointer (new style) . . . . .	46
N-4377		x	x	x	Ring - Speed (For shutters above serial No. 1-402-665). . . . .	47
N-4378	x	x	x	x	Screw - Diaphragm control ring (new style). . . . .	46
N-4379	x	x	x	x	Diaphragm Control Ring Assembly (new style). . . . .	46
N-4380	x	x	x	x	Wing Assembly (For shutters above serial No. 1-402-665). . . . .	53
N-4381	x	x	x	x	Diaphragm Plate Assembly (For shutters above serial No. 1-402-665)	53
N-4382	x	x	x	x	Diaphragm Control Plate Assembly (For shutters above serial No. 1-402-665) . . . . .	53
N-4390		x	x	x	Shutter Complete (Lens opening scale above lens) for Cameras above Serial No. 272330 . . . . .	41
N-4391	x				Shutter Complete (Lens opening scale above lens) for Cameras above Serial No. 273300 . . . . .	41
N-4398	x				Ring - Diaphragm index (For shutters above serial No. 1-402-665) . . . . .	47
N-4399	x				Ring - Speed (For shutters above serial No. 1-402-665). . . . .	47
N-4400	x				Ring - Speed (For shutters below serial No. 1-402-665). . . . .	47
102975	x	x	x	x	Screw - Flash terminal assembly to ring (To facilitate repairing, use No. 080 tap) . . . . .	43

KODAK RETINA FIELD CASE, Model B, for Kodak Retina IIc, IIIc, and IIIC CAMERAS

Part No.	Part Name	Fig.	Part No.	Part Name	Fig.
N-4337	Case Bottom Assembly . . . . .	59	N-4396	Stud - Loop . . . . .	59
N-4338	Shoulder Strap Assembly. . . . .	59	N-4402	Cap - Snap button . . . . .	59
N-4339	Cover Assembly . . . . .	59	N-4403	Socket - Snap button cap. . . . .	59
N-4392	Screw - Camera retaining. . . . .	59	N-4404	Post - Snap button. . . . .	59
N-4393	Plate - Camera retaining screw. . . . .	59	N-4405	Stud - Snap button post. . . . .	59
N-4394	Plate - Snap button stud catch . . . . .	59	N-4406	Sleeve - Snap button post stud. . . . .	59
N-4395	Loop Assembly . . . . .	59	121934	Stud - Shoulder strap. . . . .	59

Always give PART NUMBER and NAME when ordering parts

EASTMAN KODAK COMPANY • ROCHESTER 4, NEW YORK

Corrected to November 1961

Parts List Supplement No. 5537-1

## KODAK RETINA IIc, IIIc, AND IIIC CAMERAS

The following corrections should be made in Parts List No. 5537.

### Page 3, Figure 2

Covering — N-4239 . . . . . Change part number to N-4237

Title . . . . Back Assembly N-4234 is for Retinas IIc and IIIc (not IIIC)

### Page 5, Figure 6

Change title as follows:

N-4031 is for IIc (not IIIc)

Change N-4062 to N-4067

Change N-4283 to N-4783

### Page 8, Figure 14

Screw — N-4796 . . . . . Change part number to N-4928

**EASTMAN KODAK COMPANY • ROCHESTER 4, NEW YORK**