



## Rollei Electronic & Computer Flash

Catalog No.	440 010	445 010	451 000	515 010	516 010	518 010	400 110	120 010
Model	E15B	121BC	128BC	134B	134REB	140RES	E36RE	‡C26
Guide No. Kod. II (25ASA)	35	35	46	56	56	65	82	‡ For use ONLY with Rollei A26 126 Cartridge Camera (See Pages 17-18 for specification)
Guide No. Color Neg. (80ASA)	56	56	85	100	100	130 (CPS)	165 (CPS)	
Computer (auto) Exposure Control		Yes	Yes		Yes	Yes	Yes	
Recycle Time "AA" Alkaline Batts. <sup>2</sup>	8 sec.	8 Sec	6 sec.	10 sec.	0.3 sec. to 10 sec.			
Recycle Time—Nicads <sup>2</sup>			4 sec.	6 sec.	0.3 sec. to 6 sec.	0.3 sec. to 8 sec.	0.3 sec. to 4 sec.	
Thyristor Regulated Energy Circuit					Yes	Yes	Yes	
No. of Working f stops per film speed	Manual	1	1	1	2	3	3	
External Sensor							Yes	
Swivel Indexed Bounce Light Head				Yes	Yes	Yes		
Computer (auto) Range		16" to 13'	16" to 11½'		24" to 20'	15" to 32½'	16" to 44'	
Power Source	2 "AA"	2 "AA"	4 "AA" or 4 x 1.2V Nicads	4 "AA" or 4 x 1.2V Nicads	4 "AA" or 4 x 1.2V Nicads	Built-in Nicad	Removeable 12V Nicad	
Recharge Time for Nicads			4 hrs.	4 hrs.	4 hrs.	1 hr.	15 hrs.	
Number of flashes "AA" Batt. <sup>2</sup>	to 200	to 200	to 200	to 120	120-1700			
Number of flashes Nicad charge <sup>2</sup>			80	80	80-1300	40-1500	80-1000	
AC Operation				<sup>4</sup> Yes	<sup>4</sup> Yes		Yes	
Locking PC Cord/open flash/calculator	Yes	Yes	Yes	Yes	Yes	Yes	Yes	
Built in Hot Shoe	Yes	Yes	Yes	Yes + ¼" bush	Yes + ¼" bush	Bracket + ¼" bush	Q.r. clamps & bracket(s)	
Illumination Angle	45° x 60°	45° x 60°	45° x 60°	45° x 60°	45° x 60°	45° x 60°	45° x 60°	
Sensor Angle		15°	15°		15°	15°	15°	
Daylight Color Correction (5500°K)	Yes	Yes	Yes	Yes	Yes	Yes	Yes	
Power: Ws/BCPS	15/780	15/780	33/1300	45/2000	45/2000	60/2600	80/4200	
Weight: (grams/ounces)	113/4	123/4¾	175/6¼	290/10¼	300/10½	510/18	850/30	
Type of Charger			<sup>1</sup> Type F	Type F	<sup>1,3</sup> Type F	Type E-supplied	Type C-supplied	

<sup>1</sup> Optional Accessory—Use Varta 501RS; Nicads for External Charging in Type F—4 hr. Rapid Charger  
<sup>2</sup> References to "AA" are for Alkaline Energizers—E91 or Mn1500; Number of flashes dependent on battery condition, flash to subject distance, and working f/stop  
<sup>3</sup> Nicads can also be charged inside 134B and 134REB using Type D charger (15 hrs.)  
<sup>4</sup> Using accessory Type D. charger

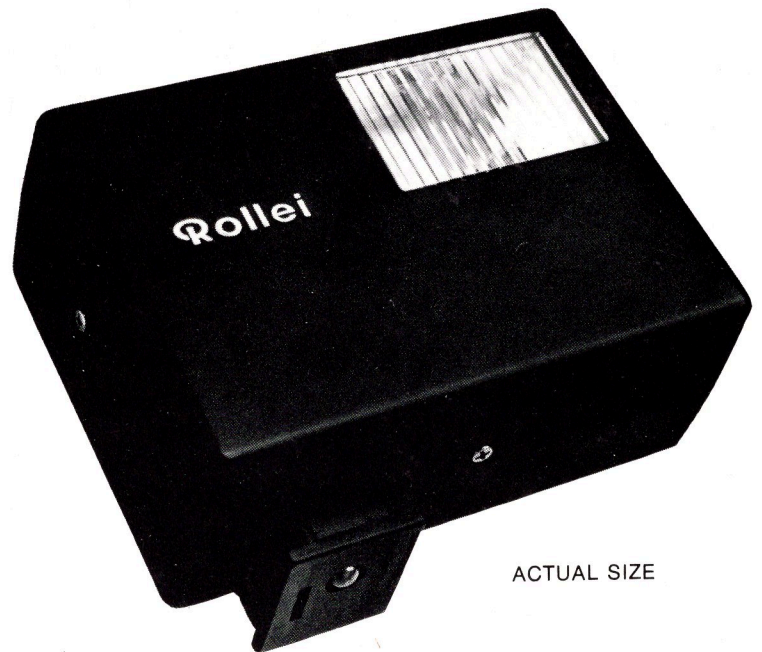


# Electronic Flash

## Rollei E15B—Battery Operated Electronic Flash

The exciting success of the Rollei 35 camera and the ultra compact E15 Electronic Flash is now followed by the Rollei E15B (for battery operated) which uses a transverse mounted reflector allowing good illumination for small film cameras even when equipped with a wide angle lens of down to 35mm focal length. Reflector scattering screen is corrected for color.

Other features: Ready signal light, manual triggering, synchronization thru hot-shoe contact or with Rollei lock PC cable. Calculator table in both feet and meters. Accuracy of guide numbers guaranteed by German Industrial Standard DIN 19011.



ACTUAL SIZE

ROLLEI E15B ELECTRONIC FLASH w/CORD, LESS BATTERIES **Cat. No. 440 010** (01915)

### Technical Specifications

Guide Number for 25 ASA	:	35
Guide Number for 400 ASA	:	140
Battery Operation	:	2x1.5 volt "AA" batteries (i.e. Mn 1500 or E91)
Flash duration approx.	:	1/2000 second
Recycling time approx.	:	8 seconds
Number of flashes	:	up to 200 per set of batteries (Eveready E91 or Mallory Mn1500)
Illumination angle	:	46° x 60°
Color temperature approx.	:	5500° Kelvin
Dimensions	:	3.1x2.4x1.3 inches
Weight	:	4 ounces

# Electronic Flash



ROLLEI 121BC—COMPUTER FLASH battery powered w/CORD, LESS BATTERIES  
Cat. No. 445 010 (08615)

CASE for ROLLEI 121BC  
Cat. No. 970 530 (09742)

## Other Specifications

Power Supply	: 2 x 1.5V "AA" batteries (Alkaline Energizer recommended)
Recycling Times	: 8 sec. with Alakine batts. 14 sec. with regular batts.
Flash Duration	: Auto.: 1/2500-1/30000 sec. Manual: approx. 1/2500 sec.
Computer Range	: Approx. 16" to 13'
Angle of Coverage	: Approx. 46° x 60°
Energy	: 15Ws
Sensor Angle	: 15°
Manual Operation	: Slide red button over sensor
Color Temperature	: 5500°K
Ready Indicator	: Ready Light
Synchronization	: Hot-shoe and locking PC-cord
Open Flash	: Slide bar (also serves as cord lock)
Dimensions	: 78 x 61 x 34mm
Weight	: 4¾ ounces, less batteries

## ROLLEI 121BC—Battery Powered Compact Computer Flash

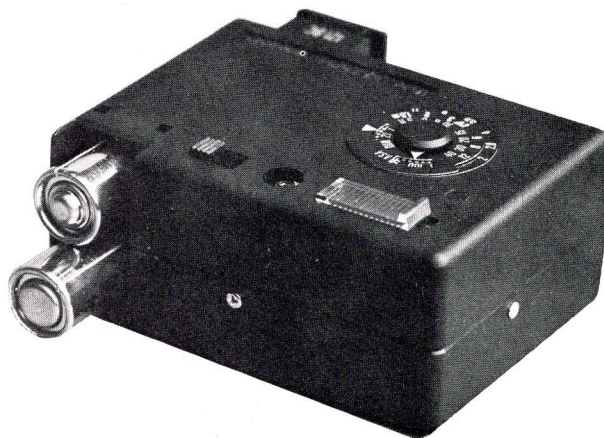
Now a truly pocket-size battery-powered (2 "AA" cells) Computer Flash from Rollei. It retains the same compact package that has made the previous E15 and E15B units most successful, particularly as pocket companions for the Rollei 35, B35 and other compact cameras. The Rollei 121BC sets a new standard for small size plus performance. Smaller than a package of cigarettes, the 121BC uses a transverse mounted reflector, providing good illumination for small film cameras, even when equipped with a wide-angle lens of 35mm focal length. Reflector scattering screen is corrected for daylight color.

Other features: Ready signal light, manual triggering for open flash, synchronization through hot shoe contact or with Rollei-lock/PC Cable. Calculator dial for optional manual operation gives f/stop-distance readings in both feet and meters; dial covers ASA film range 12-1600; Accuracy of guide numbers is guaranteed by German Industrial Standard DIN 19011.

Guide No. in feet with KII: 35.

Number of flashes per battery set: Approx. 200 with Alkaline batteries (recommended) or approx. 75 with regular batteries.

Computer (automatic) working aperture with ASA80 films: f5.6.



Rollei 121BC uses 2 "AA" batteries (Alkaline energizers recommended)

Flash Accessories—See Pages 63-65



# Electronic Flash

## Rollei 128BC Computer Flash Battery Powered (4 "AA" cells)

### or . . . Rapid-Charge Nicads

New computer (automatic) flash designed to operate with 4 "AA" batteries of the Alkaline Energizer type (E91, etc.) or with rapid charge Nicad batteries.\*

Horizontal configuration and size are similar to those of the successful E19BC. Here we have provided an optional power source (Nicad) with shorter recycling times to meet this user option.

Horizontally mounted reflector provides excellent and even illumination of entire subject field for miniature cameras equipped with a wide-angle lens down to 35mm focal length.

Accuracy of guide numbers guaranteed by German Industrial Standard DIN 19011.

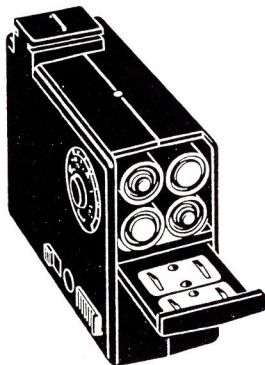
GN with KII: 46

#### ROLLEI 128BC COMPUTER FLASH w/CORD, LESS BATTERIES

**Cat. No. 451 000** (08174)

#### CASE for ROLLEI 128BC

**Cat. No. 970 590** (09751)



Rollei 128BC uses 4 "AA" batteries  
(Alakline energizers recommended) or  
Rapid-Charge Nicads\*

\* Rapid charger (4 hr.) Type "F" for external charging of Nicad batteries (Varta 501RS) in preparation. **See Page 64**



#### Technical Specifications

Power Supply	: 4 "AA" Alkaline Energizers (recommended) or: 4 "AA" regular batteries or: *4 x 1.2V Rapid charge (4 hr) Nicads.
Number of Flashes	: Approx. 200 with Alkaline batteries 75 with regular batteries 80 with fully charged Nicads (Varta 501RS)
Recycling Time	: 6 sec. with Alkaline batteries 14 sec. with regular batteries 4 sec. with Nicad batteries
Flash Duration	: Automatic: approx. 1/1500-1/30000 sec. Manual: approx. 1/1500 sec.
Working Aperture Computer Use	: f5.6 with 50ASA film (18 DIN)
Computer Range	: Approx. 16" to 111½'
Energy	: 33 Ws
Illumination Angle	: Approx. 46° x 60°
Sensor Angle	: Approx. 15°
Manual Operation	: Slide red button over sensor
Reflector/Diffusion Screen	: Color Corrected, 5500°K
Ready Indicator	: Ready Light
Synchronization	: Hot-shoe and locking PC-cord
F-Stop Calculator	: for ASA—feet for DIN—meter
Open Flash	: Slide bar (also serves as cord lock)
Dimensions	: 91 x 71 x 34mm
Weight	: 6¼ ounces, less batteries



# Electronic Flash



Rotating (180°) reflector swivel locks to 60° bounce position.

## Rollei 134B—Battery Operated Electronic Flash

... features optional use of Rapid-Charging Nicads\*

A new Rollei Electronic Flash unit for "AA" batteries or rapid-charge Nicads\*. New compact 'wind-scoop' sculptured design housing features large swiveling reflector. Normal coverage in normal position; turned by 180° the reflector provides for bounce flash at an angle 60° from horizontal. Guide numbers guaranteed by German Industry Standard DIN 19011.

Guide No. with KII: 56.

ROLLEI 134B ELECTRONIC FLASH  
w/CORD, LESS BATTERIES

Cat. No. 515 010 (09052)

### Technical Specifications

Power Supply	:	4 x 1.5V "AA" Alkaline batteries (E91, etc.) or: 4 x 1.5V "AA" regular batteries or: *4 x 1.2V Rapid-charge Nicads (Varta 501RS)
Number of Flashes	:	Approx. 120 per set of Alkaline energizers Approx. 80 per Nicad-charge Unlimited AC operation w/type "D" accessory charger <b>See Page 64</b>
Recycling Time	:	10 sec. approx. w/Alkaline batteries 6 sec. approx. w/Nicad batteries 30 sec. approx. w/AC operation w/type "D" accessory charger
Flash Duration	:	Approx. 1/400 sec.
Illumination Angle	:	45° x 60°
Reflector/lens	:	Color Corrected, 5500°K
Synchronization	:	Hot-shoe; locking 16" PC-cord
Ready Indicator	:	Ready Light
Open Flash	:	Slide bar (also serves as cord lock)
f/stop Indicator	:	ASA—feet DIN—meters
Dimensions	:	75 x 35/65 x 140mm
Weight	:	10¼ ounces, less batteries

\* in preparation **See Page 64**

Flash Accessories—See Pages 63-65



# Electronic Flash

## Rollei 134REB Computer Flash ... for "AA" batteries or Rapid-Charge Nicads†

features thyristor electronic circuit  
for higher number of flashes and  
fast recycling times

Strikingly new concept in flash with distinctive design featuring 180° swiveling reflector, which locks to bounce-light position. The built-in power saving RE thyristor circuit ensures short recycling times (down to 0.3 second) and high flash capacity (up to 1700 flashes per set of batteries.) Rollei's Vario-computer provides electronic selection of two working apertures.

Guide No. with KII:56



180° swiveling reflector locks to fixed bounce light position, 60° from horizontal.

ROLLEI 134REB COMPUTER FLASH, w/PC CORD, LESS BATTERIES

Cat. No. 516 010 (09274)

### Technical Specifications

Power Supply	: 4 x 1.5 "AA" Alkaline energizers (E91, etc.) or: ‡Rechargeable Nicads (Varta 501RS)	Flash Duration	: 1/400-1/20,000 second, automatic 1/400 second (approx.), manual
Vario-computer	: Computer working apertures: f5.6 and f11 with 100ASA f4 and f8 with 50ASA	Synchronization	: Hot-shoe and 16" PC-cord
Auto-control	: 4-20 feet @ f5.6 2-10 feet @ f11	Illumination Angle	: 45° x 60°
*Flash Capacity	: 120-1700 flashes per set of Alkaline energizer batteries 80-130 flashes per Nicad charge unlimited flashes with AC operation	Sensor Angle	: 15°
*Recycling time	: Approx. 0.3 to 10 seconds w/batteries Approx. 0.3 to 6 seconds w/Nicads Approx. 0.3 to 30 seconds w/AC operation	Diffuser Screen	: Color corrected, 5500°K
* Capacity and recycling times are dependent on subject distance and working aperture.		Open Flash	: Slide-bar (also PC-cord lock) Ready Light
		Manual Operation	: Slide button over sensor
		Calculator	: ASA—feet DIN—meters
		Dimensions	: 75 x 35/65 x 140mm
		Weight	: 10½ ounces; less batteries
		† 15 hr. recharge in unit with accessory charger type "D".	
		4 hr. Rapid-external charge with accessory charger type "F"—in preparation. } ‡	

Flash Accessories—See Pages 63-65

‡ Chargers—See Page 64



# Electronic Flash



**ROLLEI 140RES Computer Flash with built-in high density Nicads**  
**1 hour Quick Charge and thyristor electronic circuit . . .**

**Higher number of flashes . . .**  
**Shorter recycling times.**

**Vario-computer for 3 electronically selected shooting apertures . . .**  
**swivel reflector for bounce flash.**

A smaller version of the 'super-gun', the Rollei E36RE.

Convenient torch shape features built-in Nicad sinter cells in grip handle and can be quick-charged in 1 hour.

Thyristor electronic circuit provides from 40 to 1,000 flashes per charge dependent on subject distance and working aperture. The regulated energy (RE) distribution gives short recycling times of approximately 0.3 second to 8 seconds—again dependent on subject distance and f/stop.

Large reflector swivels 180° to provide a fixed bounce light position 60° from horizontal; fixed sensor measures light from camera position.

Quality performance and guide numbers guaranteed by German Industrial Standards (DIN 19011). GUIDE NO. with KII: 65.

ROLLEI 140RES COMPUTER FLASH w/BUILT-IN QUICK CHARGE NICAD, PC CORD, CHARGER and CAMERA MTG. BRACKET. **Cat. No. 518 010** (09496)

BRACKET, Camera Mtg. w/screws, for 140RES, replacement. **Cat. No. 301 280** (03577)

## Other Technical Specifications

Flash Duration	: Auto.—approx. 1/400-1/20,000 sec. Manual—approx. 1/400 sec.	Computer Range	: f2.8 : 3' 11"-32' 8" f5.6 : 2' 6" -16' 4" f11 : 1' 3" -8' 2"
Power Supply	: Built-in high density Nicad (not for AC operation) Type "E"—1 hour quick-charger with auto switch to trickle charge with indicator light.	Synchronization	: Through locking PC-cord
Energy	: 60 Ws	f/stop Distance Calculator	: ASA—feet DIN—meters
Light coverage	: 45° x 60°; 5500°K	Open Flash	: Slide bar (also serves as cord lock)
Sensor Angle	: 15°	Dimensions	: 80.5 x 96 x 186mm
Working Apertures	: f2.8-5.6-11 with ASA50 films (Vario-computer w/electronic selection)	Weight	: Approx. 18 ounces
		Grip	: 41mm equipped at base with 1/4" x 20 thread for mounting on bracket, stand or tripod
		Mounting	: Bracket supplied with long slot and 2 screws.

*Flash Accessories—See Pages 63-65*



# Electronic Flash

## ROLLEI E36RE—World's most powerful and fastest operating single-unit professional Computer Flash—with External Sensor.

No more "back-packing" of auxiliary power sources for high performance flash. Complete body freedom for the active photographer.

Guide No. for ASA25: 82

Guide No. for CPS color neg. film, ASA100: 165

*Thyristor series circuitry* means up to 1,000 flashes per charge and shorter recycling times from 0.3 (3/10) to 4 seconds, dependent upon subject distance and working f stop.

Under normal reflective conditions, (at distances of 10 feet or less) sequence photos are possible with 0.3 sec. recycling time. (Motorized camera at 3-frames/sec.) in short 5-frame bursts.

*The ROLLEI E36RE features a Vario-computer* providing electronic selection of 3 working f stops and connection for external sensor supplied with unit.

*External Sensor* has 67" coil cord, right angle plug; fits accessory shoe, has 1/4" thread in mounting foot, 15° acceptance angle for all types of bounce and flash photography with automatic exposure control. When External Sensor is plugged into E36RE, regular sensor in unit is shut off electronically.

*Accessory Battery Holder* for use with battery charger. The convenience of the E36RE lies not only in its compact single-unit design, but for the pro in its battery change versatility. No need to "tie-up" the flash in order to charge a spare battery. Pre-charge a spare battery in the Accessory Battery Holder and have it ready as a fresh replacement. Takes only 5 seconds to switch batteries.



ROLLEI E36RE COMPUTER FLASH complete with external sensor, charger, interchangeable 12V Nicad battery, tilting clamp and Rollei lock to PC coil cord. (309220) **Cat. No. 400 110** (22327)

EXTERNAL SENSOR (replacement) E36RE. **Cat. No. 400 120** (07296)

ACCESSORY BATTERY HOLDER—permits charging a spare battery with E36RE charger—independent of E36RE/E34C. **Cat. No. 301 710** (16887)

BATTERY, SPARE 12V NICAD for E36RE/E34C **Cat. No. 301 720** (16896)

CLAMP, SPARE, for cylindrical handle, w/quick release, E36RE/E34C. **Cat. No. 301 740** (16911)

For Other Flash Accessories—See Pages 63-65

Overleaf for tech. specifications



# Electronic Flash

## ROLLEI E36RE—TECHNICAL SPECIFICATIONS

**Power Supply:** 12V Nicad battery, rechargeable in handgrip or externally in Acc. Battery Holder, instantly interchangeable in bayonet lock grip. Charger with indicator light. 15 hour full charge.

**Number of Flashes:** 80-1,000 dependent on average working distances.

**Auto Flash Range:** 16 inches to 44 feet

**Recycling Times:** 0.3 second to 4 seconds—computer operation; 4 seconds—manual operation; 30 seconds—unlimited AC operation.

**Flash Duration:** Auto range: t 0.1=1/400-1/20,000 sec.; t 0.5=1/800-1/40,000 sec. Manual: t 0.1=1/400 sec.; t 0.5 =1/800 sec.

**Auto. f/stop Settings:** Vario-computer: f2.8, 5.6, 11 with ASA50  
f4, 8, 16 with ASA100

**Guide Number in Feet:** ASA25=82; ASA100=165; ASA400=330

**Calculator Dial:** ASA range 12-1,600; computer (f/stop selection lever); ASA—DIN; feet/meters.

**Illumination:** 45° vertical; 60° horizontal; color corrected 5500°K.

**Sensor Acceptance:** 15° for both built-in sensor and external sensor.

**Open Flash:** Manual release button with ready light.

**Synchronization:** Coiled synchro-cord connector with safety lock.

**Dimensions/Weight:** 260mm high x 112mm deep x 87mm wide; 30 ounces.

**Clamp/Brackets/Cords:** Clamp with quick release button and 360° ratchet tilt control. Bracket for TLR and SLR cameras, Rollei 35 and pistol grip. Straight and coiled cords available; all lock to E36RE.



# Flash Accessories

## Brackets for Use with E36RE/E34C Computer Flash

### *Universal Bracket for Miniature Cameras\**

A right angle bracket with four threaded camera mounting holes as required to attach the Rollei E34C/E36RE flash unit in the most convenient position; i.e., to left or to right of camera. Additionally bracket can be attached at an angle so that the flash unit—appropriately turned in the holder—is positioned laterally to the front of the camera.

**Cat. No. 301 020** (12812)

### *Camera Bracket with base plate for 2¼ x 2¼ or 1⅝ x 1⅝ inch (6 x 6 or 4 x 4cm) reflex cameras and for larger format cameras\**

Bracket may be detached from base plate and reversed for “other side” flash mounting. Bracket may also be locked in a forward position with second screw. With base plate removed this bracket can be mounted directly on Rollei Pistolgrip for use with Rolleiflex and Rolleicord.

\* Usually suitable also with cameras of other sizes.

**Cat. No. 301 040** (12830)

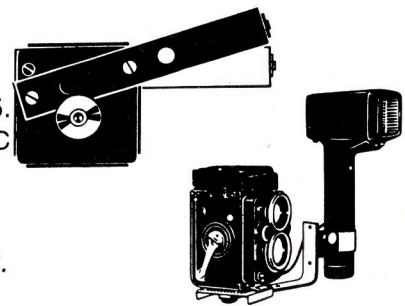
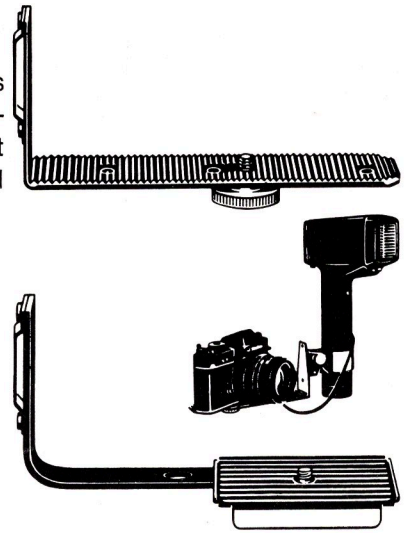
### *Camera Bracket for Rollei 35*

Includes round synchro adapter which slips into hot shoe of Rollei 35. Bracket is then mounted to base of camera and flash lead from E34C or E36RE plugged into connector.

**Cat. No. 301 030** (12821)

*Bracket for mounting on Rollei Pistolgrip and use with Handgrip SL 66.*

**Cat. No. 301 090** (12849)



## Camera Brackets with Accessory Shoe (NOT ILLUSTRATED)

### *Camera Bracket with synchro adapter and accessory shoe for Rollei 35*

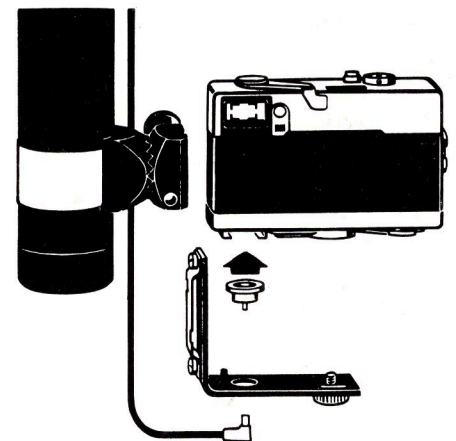
**Cat. No. 301 250** (12786)

### *Camera bracket with base plate for 2¼ x 2¼ Rolleiflex/Rolleicord reflex cameras and accessory shoe*

**Cat. No. 301 230** (12797)

*Bracket with accessory shoe—for mounting on Rollei TLR Pistolgrip*

**Cat. No. 301 240** (12803)



## Camera Brackets, Other

*Bracket, Camera Mounting for 134B/134REB only*

**Cat. No. 301 270** (03355)

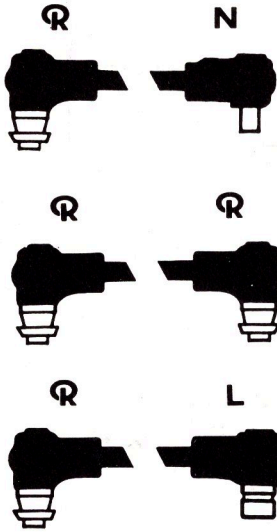
*Bracket, Camera Mounting (replacement) for 140RES only*

**Cat. No. 301 280** (03577)



# Flash Cords/Chargers

## Flash Cords for all Rollei Flash Units



According to length of cord, regular and coiled cords are available with a standard plug N (for PC); Rollei plug R, or Leica plug L.

Description	Flash Connection	Camera Connection	Cat. No.
16" cord	Rollei plug	Std (PC) plug	* 309 200 (12919)
16" cord	Rollei plug	Rollei plug	† 309 210 (12928)
14" to 50" coiled	Rollei plug	Std (PC) plug	* 309 220 (12937)
14" to 50" coiled	Rollei plug	Rollei plug	† 309 230 (12946)
14" to 50" coiled	Rollei plug	Leica plug	‡ 309 240 (12955)

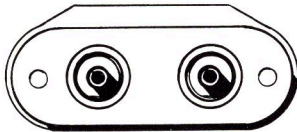
\* For Rollei 35 with R35 bracket, Rflex SL35, Leica M4, M5  
 † For Rolleiflex SL66; Rolleiflex, Rolleicord TLR cameras  
 ‡ For Leica cameras thru M3, except Leicaflex

### EXTENSION FLASH CORD-ROLLEI

10' extension cord with Rollei plug on each end to extend distance between flash and camera.

**Cat. No. 967 100** (15787)

(Must be used with coupling piece).



COUPLING PIECE—for connecting 10' extension cord(s) with Rollei lock flash plug.

**Cat. No. 209 240** (22132)

## Charging Units—120 V for former Rollei Electronic Flash

**CHARGER** (replacement) for E15, E17, E17C, E20.  
**Cat. No. 301 200** (19336)

**CHARGER** (replacement) for E22, E22C, E27, E27C, E50, E55.  
**Cat. No. 301 210** (19424)

## Charging Units for Rollei Computer/Electronic Flash

**TYPE F RAPID CHARGER** (optional accessory) for 128BC, 134B, 134REB for *external* 4 HR. rapid charging of 4 x 1.2V Nicads. Includes charger with holder for 4 batteries (Varta 501RS or equivalent\*), less Nicads.  
**Cat. No. 304 060** (04455)

**TYPE D CHARGER** (optional accessory) for 134B and 134 REB only—for *internal* 15 HR. charging of 4 x 1.2V Nicads in unit (use Varta 501RS or equivalent\*). This charger also provides for AC operation of 134B/134REB with Nicads in flash units, less Nicads.  
**Cat. No. 301 940** (08411)

**TYPE D CHARGER** (replacement) for C26 Computer Flash.  
**Cat. No. 301 940** (08411)

**TYPE E QUICK CHARGER** (replacement) for 140RES Computer Flash.  
**Cat. No. 304 010** (08633)

**TYPE C CHARGER** (replacement) for E36RE/E34C Computer Flash.  
**Cat. No. 301 700** (19512)

\* Such as: Eveready CH500; G. E. Nicad AA Cell; Gould 475SC; Burgess C06; Ray-O-Vac 615.



## Cases for Rollei Flash Units

CASE for Rollei E15

**Cat. No. 970 610**  
(16832)

CASE for Rollei E15B  
121BC  
E17  
E19  
E20  
E20C  
C26

**Cat. No. 970 530**  
(09742)

CASE for Rollei E17C, E19C

**Cat. No. 970 580**  
(13028)

CASE for Rollei E19BC  
128BC  
E22  
E22C  
E24  
E24C

**Cat. No. 970 590**  
(13037)

CASE for Rollei E27  
E27C  
E50  
E55

**Cat. No. 970 540**  
(13046)

CASE for Rollei 134REB, 134B

**Cat. No. 970 770**  
(05555)

CASE for Rollei 140RES, 140S

**Cat. No. 970 780**  
(08855)

CASE for Rollei E36RE/E34C

**Cat. No. 970 700**  
(16869)

