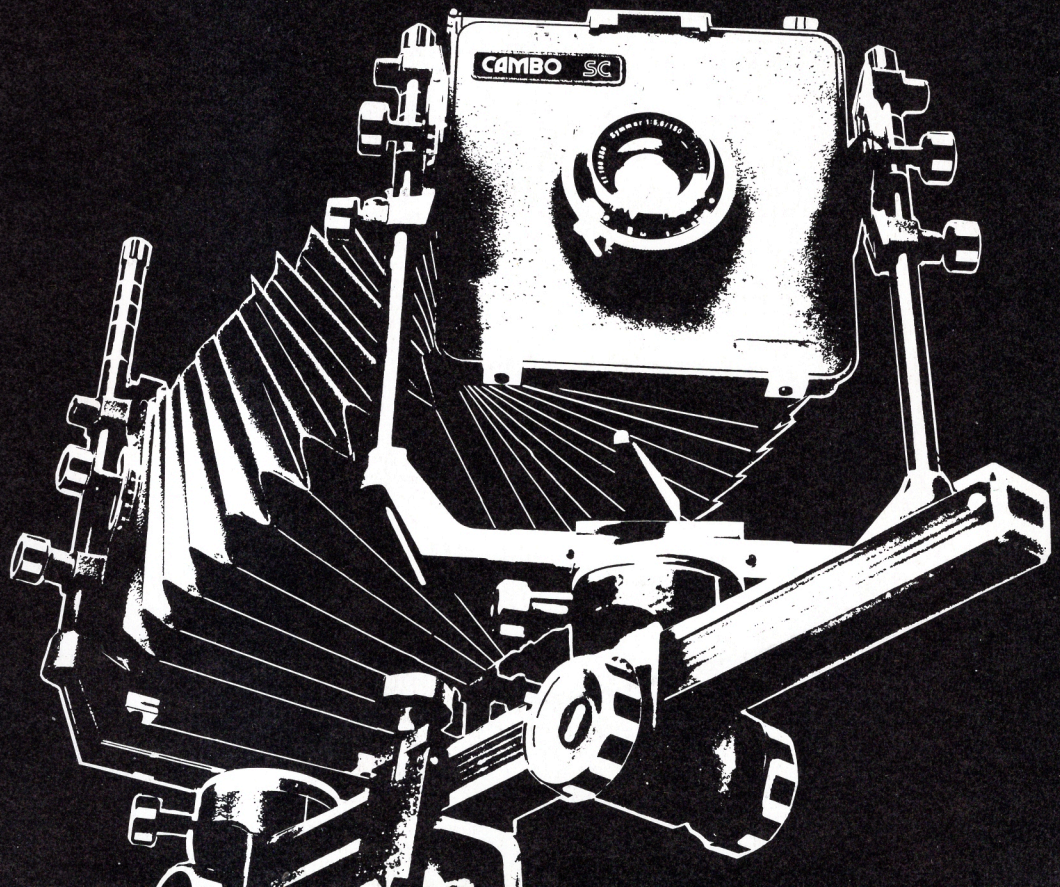
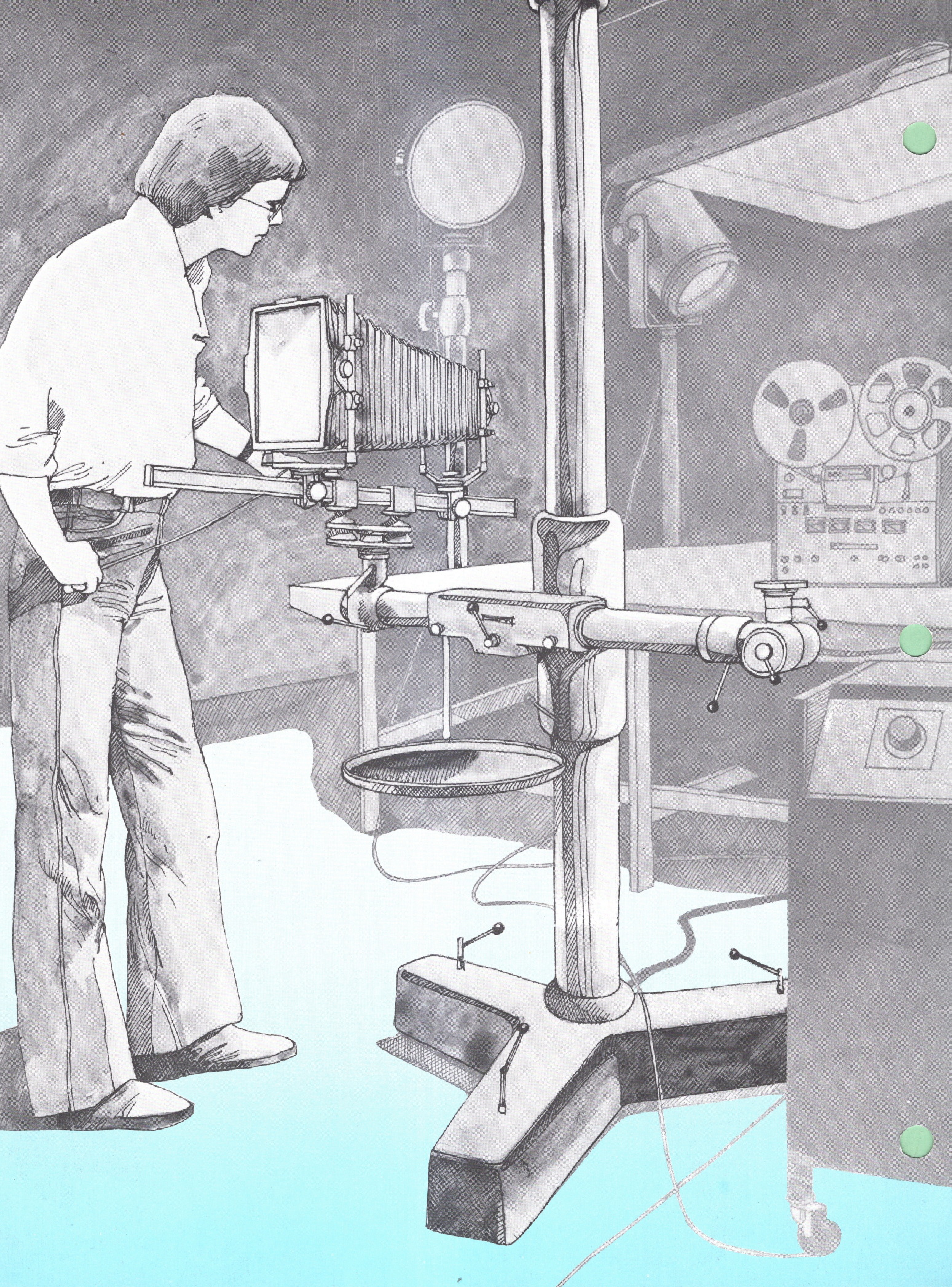


CAMBO

SC Camera System





Cambo and her SC technical camera range

Since the foundation of Cambo b.v., the only Dutch manufacturer of professional cameras and studio stands, our reputation has increased leading to a worldwide distribution of our products. This reputation is, above all, because of the excellent quality of Cambo products and the years of experience in the development and manufacture of cameras and studio stands for professional photographers. A combination of close cooperation with professional photographers and excellent quality control has enabled us to develop a wide range of products. These products find their way to photographic studios, Government departments and industrial and commercial companies all over the world. The present range consists of studio stands, passport and identification cameras and special large format cameras which include a twin lens reflex, wide-angle cameras and the Cambo SC technical camera range.

The Cambo SC view cameras in the formats 6 x 9 cm/2¼ x 3¼" - 9 x 12 cm/4 x 5" - 13 x 18 cm/5 x 7" and 18 x 24 cm/8 x 10" form an excellent photographic system, offering the photographer many advantages because of the careful standardization of parts and accessories which greatly add to the versatility of the Cambo system.

A Cambo SC view camera can be converted from one format to another with the minimum number of accessories therefore, allowing optimum flexibility of the camera system. The Cambo SC camera due to its versatility and the extensive range of accessories available, will enable you to undertake all your photographic assignments for many years to come.



Cambo SC I camera

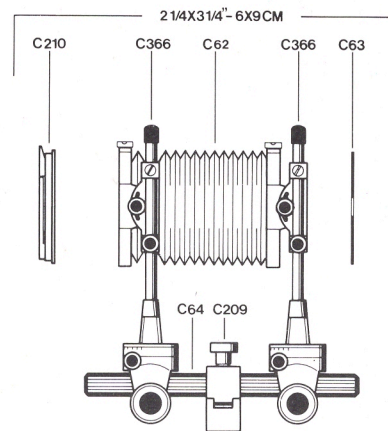
The Cambo SC I (6 x 9 cm/2¼ x 3¼")

consists of:

- C210 Rollfilm adapter back, with removable ground glass panel
- C366 (2x) Standard with 2 spirit levels (C56). Both the front and the rear standard are identical, and take the bellows at one side and the lens board or the back at the other side
- C62 Normal bellows, with mounting flanges 6 x 9 cm/2¼ x 3¼"
- C63 Lens board, flat
- C209 Tripod mounting head, fixed
- C64 Square monorail track, 30 cms/11½" long

Maximum bellows extension: 26,5 cms.

Weight: 2,7 kgs.

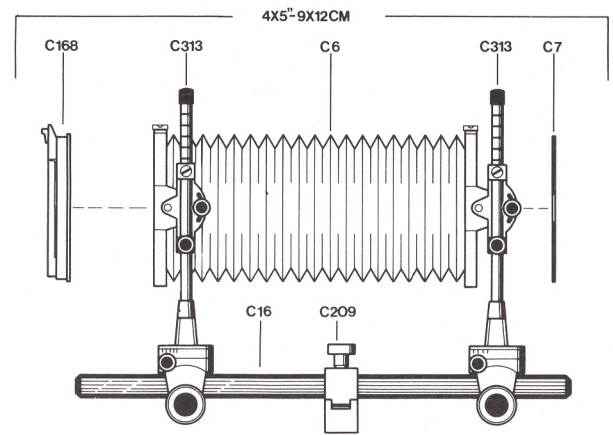


Cambo SC II camera

The Cambo SC II (9 x 12 cm/4 x 5") consists of:

- C168 International back, with removable ground glass panel
- C313 (2x) Standard with 2 spirit levels (C56). Both the front and the rear standard are identical, and take the bellows at one side and the lens board or the back at the other side
- C6 Normal bellows, with mounting flanges 9 x 12 cm/4 x 5"
- C7 Lens board, flat
- C209 Tripod mounting head, fixed
- C16 Square monorail track, 54 cms/21 1/4" long

Maximum bellows extension: 50 cms.
Weight: 3,8 kgs.



Cambo SC III camera

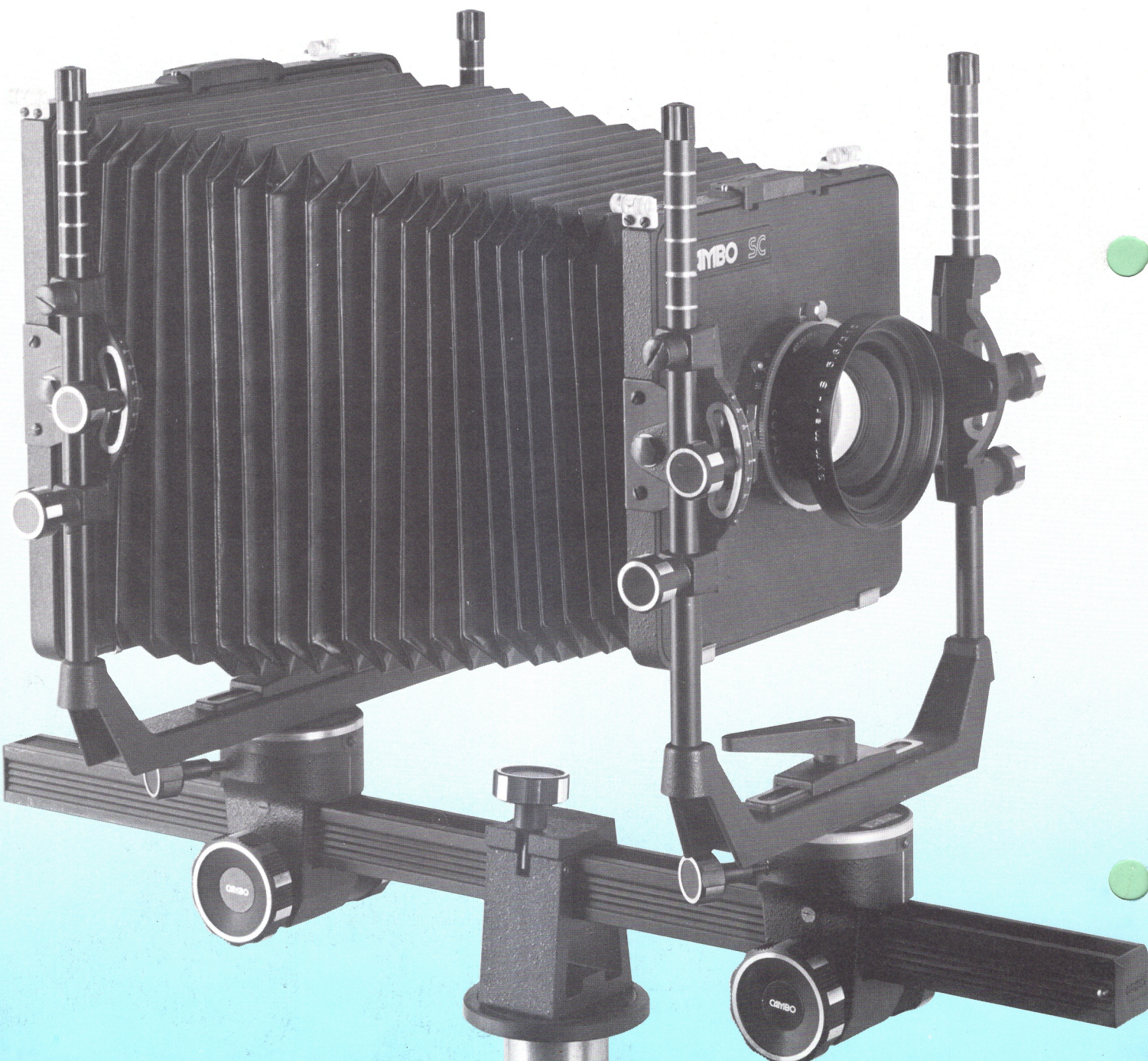
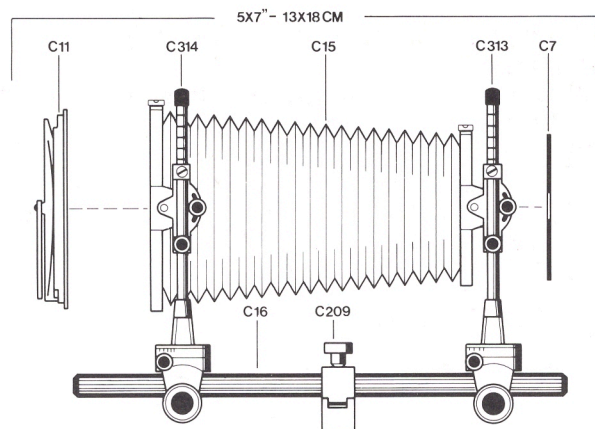
The Cambo SC III (13 x 18 cm/5 x 7")

consists of:

- C11 Spring back with ground glass for double holders 13 x 18 cm/5 x 7"
- C314 Rear standard (holds spring back) with 2 spirit levels (C56)
- C313 Front standard (holds lens board) with 2 spirit levels (C56)
- C15 Normal bellows, with mounting flanges 13 x 18 cm/5 x 7" - 9 x 12 cm/4 x 5"
- C7 Lens board, flat
- C209 Tripod mounting head, fixed
- C16 Square monorail track, 54 cms/21¼" long

Maximum bellows extension: 51 cms.

Weight: 4 kgs.



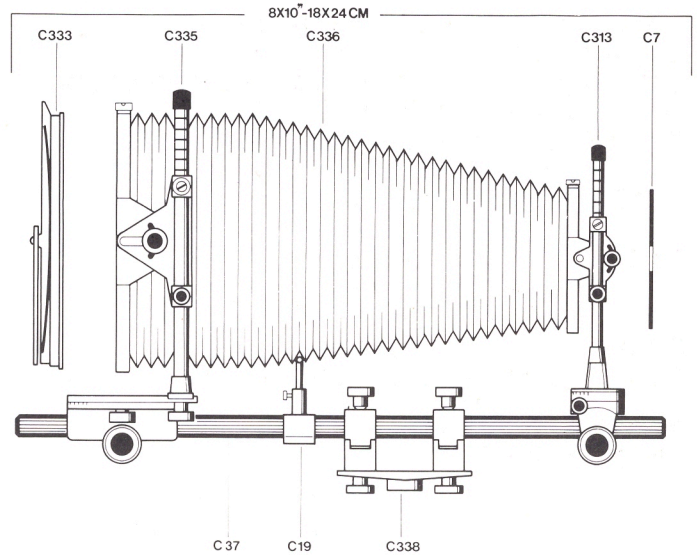
Cambo SC IV camera

The Cambo SC IV (18 x 24 cm/8 x 10")

consists of:

- C333 Spring back with ground glass for double holders 18 x 24 cm/8 x 10"
- C335 Rear standard (holds spring back) with 2 spirit levels (C56)
- C313 Front standard (holds lens board) with 2 spirit levels (C56)
- C336 Normal bellows, with mounting flanges 18 x 24 cm/8 x 10" - 9 x 12 cm/4 x 5"
- C19 Bellows support
- C7 Lens board, flat
- C338 Tripod mounting head, fixed
- C37 Square monorail track, 75 cms/30" long

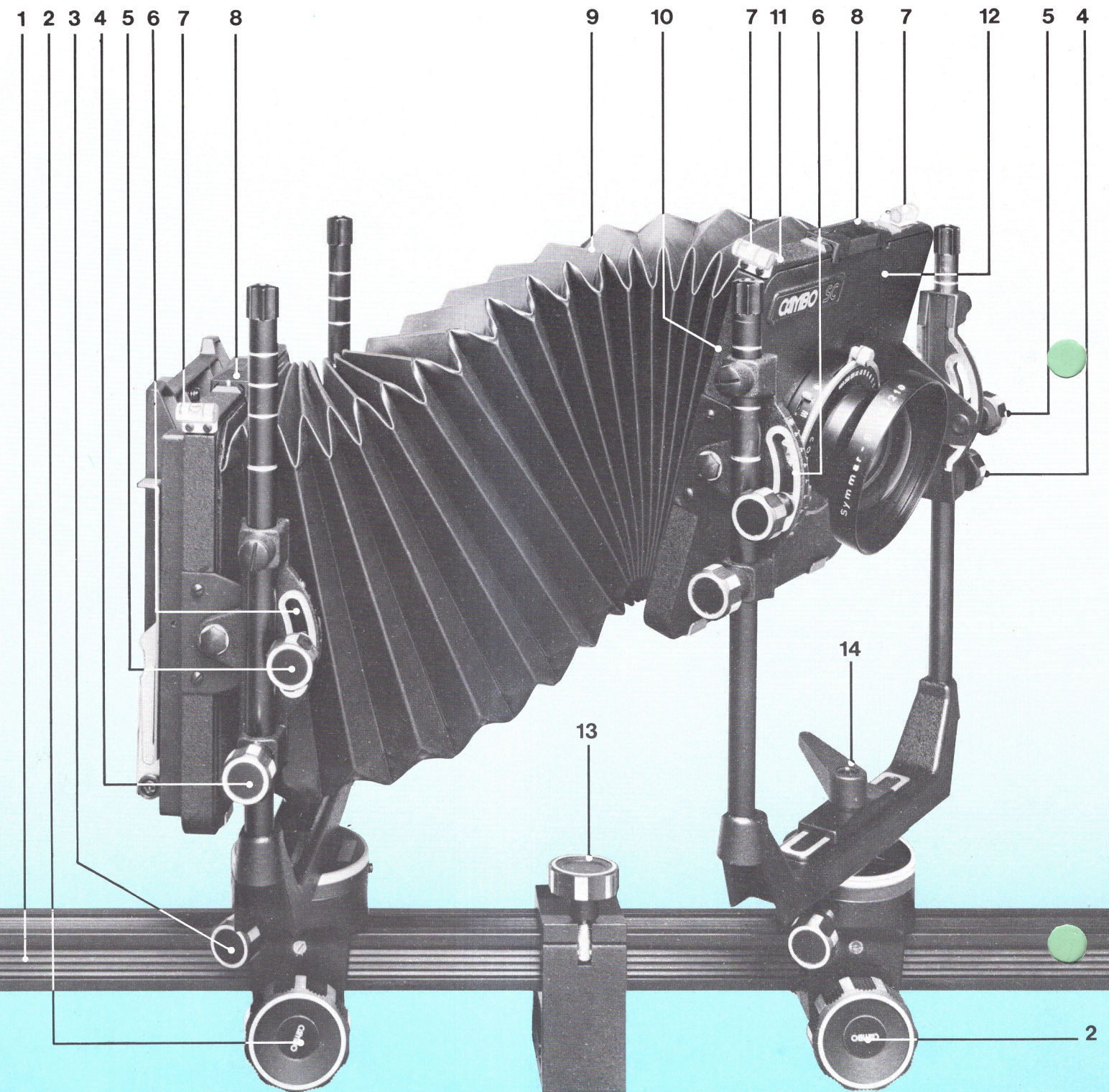
Maximum bellows extension: 65 cms.
Weight: 8,2 kgs.



Technical details on the Cambo SC system

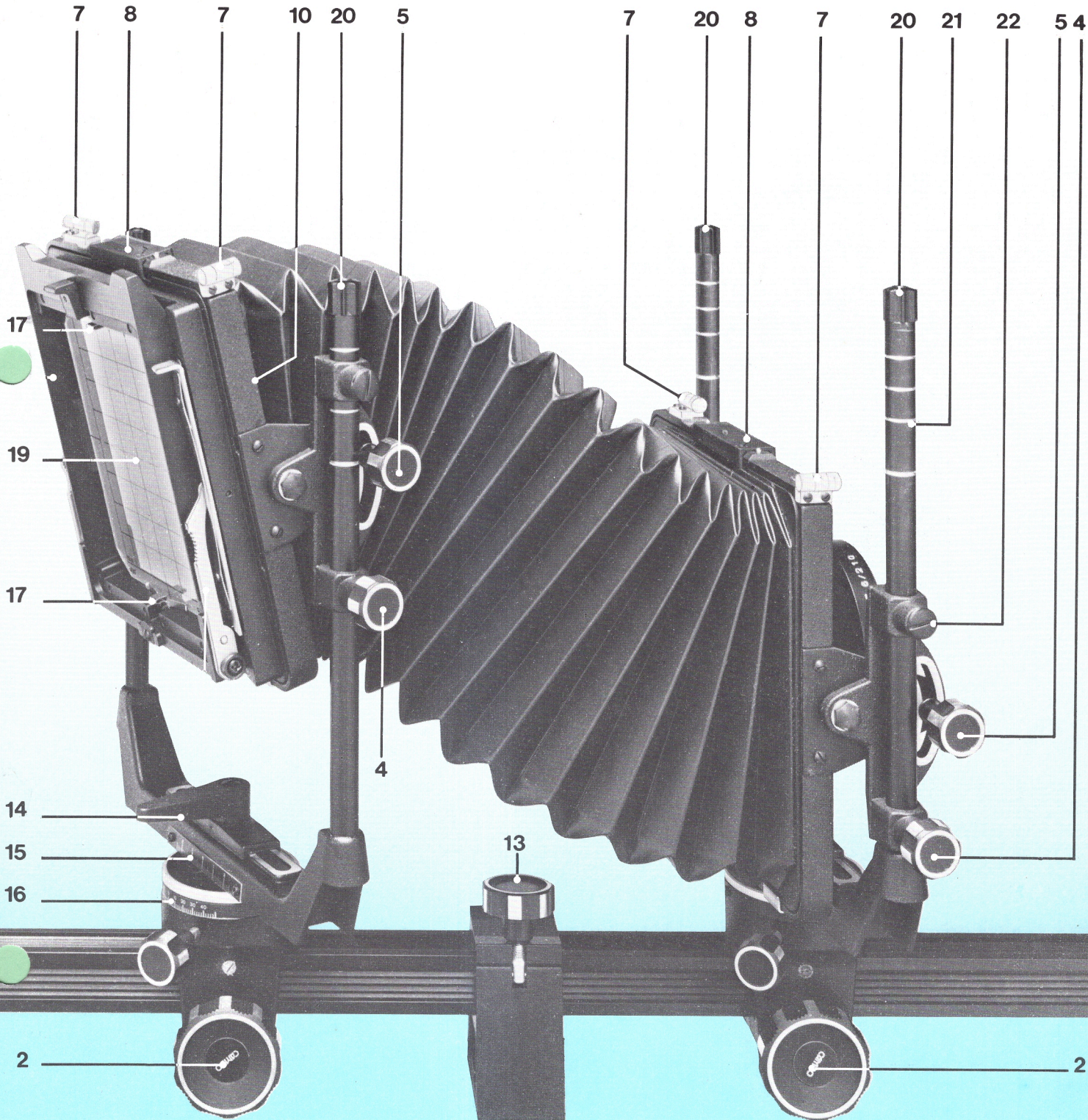
Every Cambo SC camera in the range incorporate the following common features with identical movements of front and rear standards.

1 Square monorail track to ensure smooth transport of both standards. **2** Right hand focusing wheel with lock on the left. **3** Swing locking knob. **4** Rise and fall locking knob. **5** Tilt locking knob. **6** Tilt movement scale with central click stop. **7** Spirit level. **8** Sliding retaining catch for bellows, lens board and back. **9** Interchangeable bellows. **10** Double

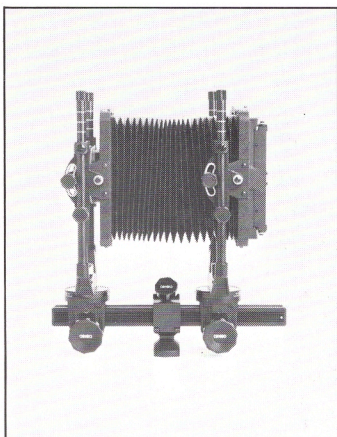


sided square frame, into which bellows and lens board or back fit, with integral springs to prevent movement. **11** Socket for the attachment of a compendium lens hood. **12** Standard lens board, which can be replaced by recessed boards for use with wide-angle lenses. **13** Fixed tripod mounting head. **14** Locking lever for the lateral movements of the standard. **15** Scale for

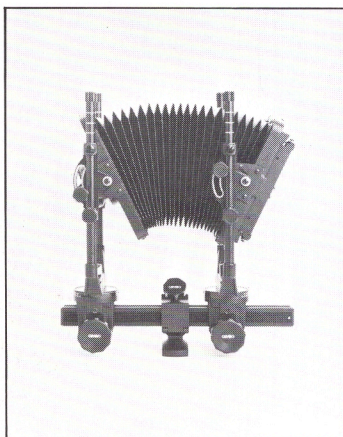
lateral movements. **16** Scale for swing movements. **17** Spring clips hold the ground glass screen and optional fresnel screen. **20** Removable cap with dark cloth support frame attachment location at the back. **21** Click stop indentations for rise and fall movement. In normal use the lowest position is selected. **22** Adjusting screw for the click stop system.



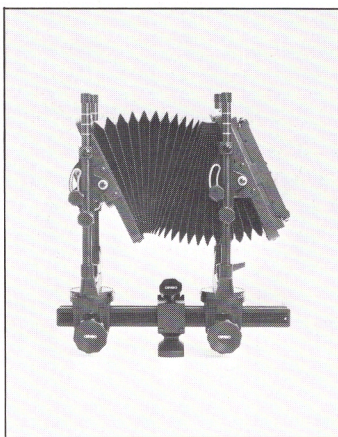
The extreme flexibility of all Cambo SC cameras assures complete control of image and perspective



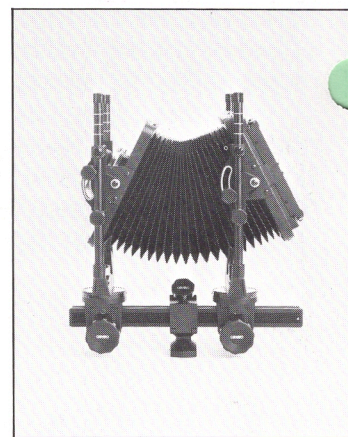
1. The Cambo SC in its centralized position, as a normal camera.



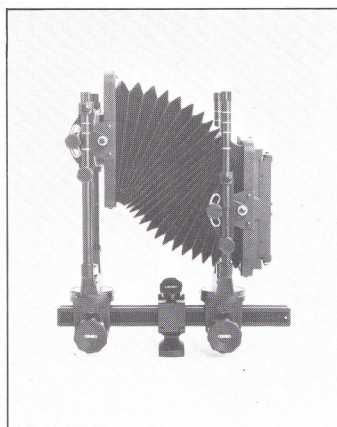
2. One of the adjustments: both panels on the horizontal axis. All models 60° movement.



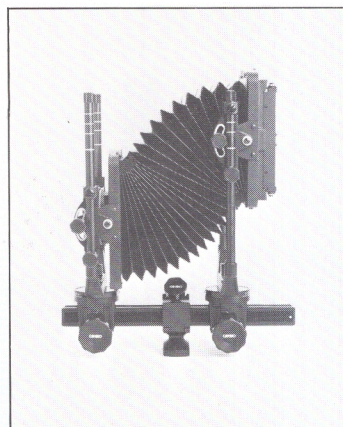
3. Parallelism: both panels tilted forward.



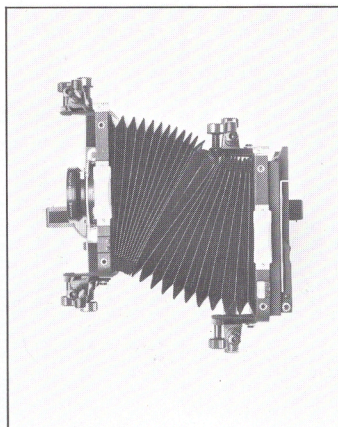
4. Both panels tilted on the horizontal axis.



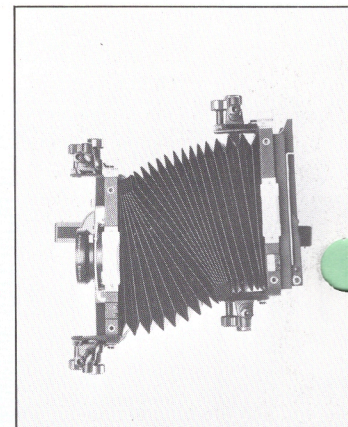
5. Parallelism: both panels moved in vertical direction. In this position mainly used in architecture. SC I: 60 mms/2 $\frac{3}{8}$ " ; SC's II, III and IV: 80 mms/3 $\frac{1}{4}$ ".



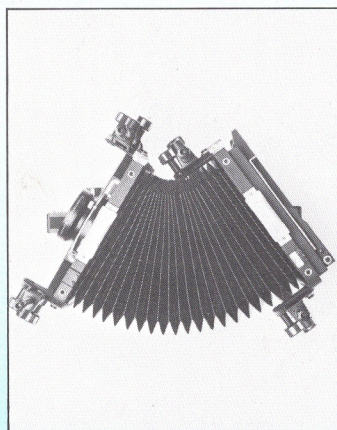
6. As in picture 5.



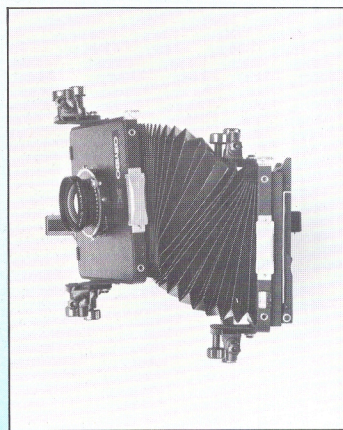
7. Both panels moved sideways. For all cameras 50 mms/2".



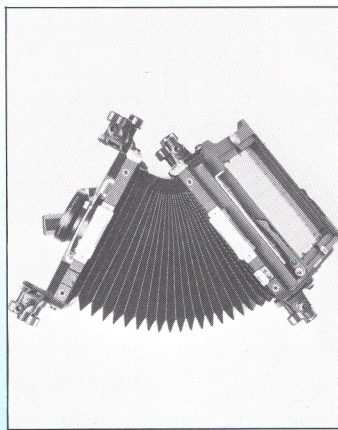
8. As in picture 7.



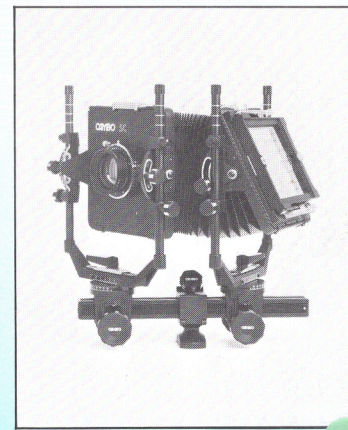
9. Both panels swung on the vertical axis. No restrictions (except by the bellows).



10. Both panels moved sideways and front-standard adjusted in horizontal direction.

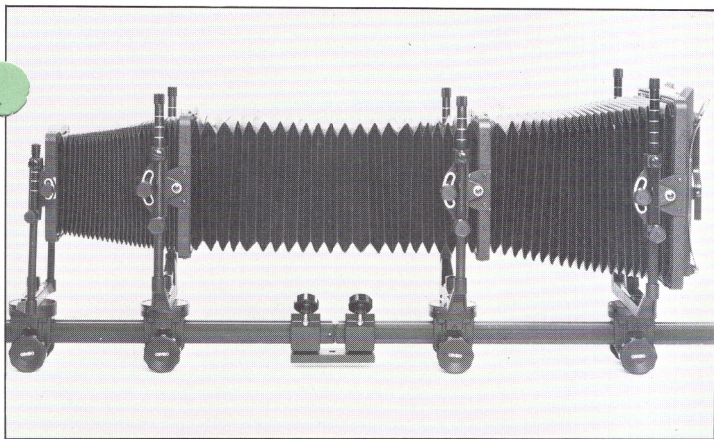


11. Swing on front panel. Both swing and tilt on back panel.

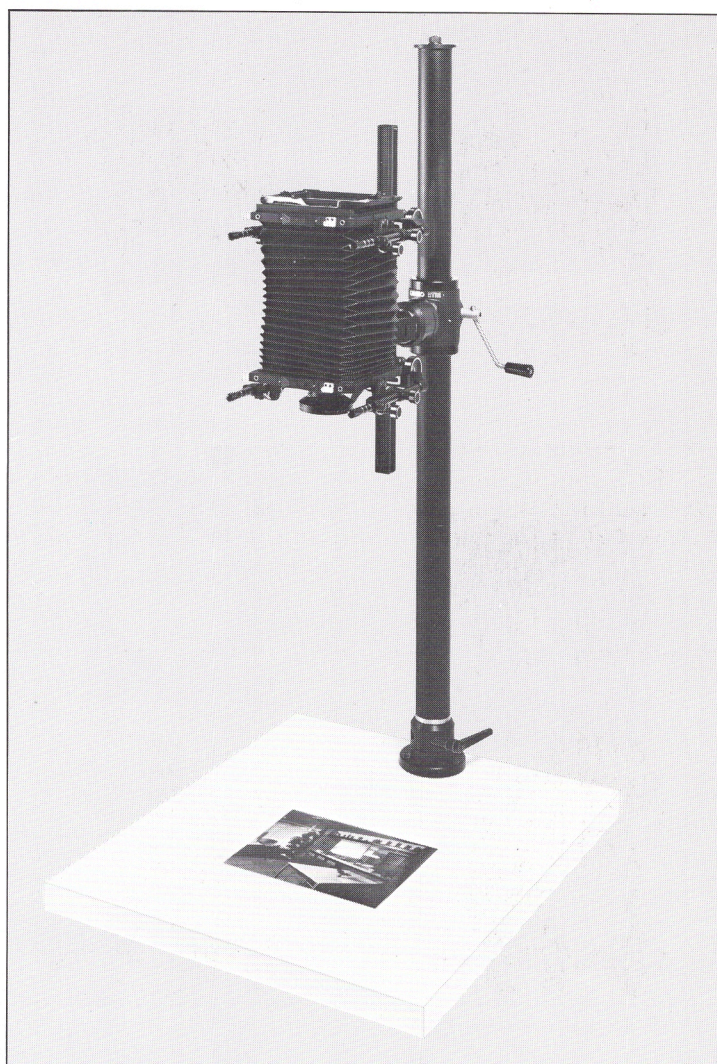


12. As in picture 11.

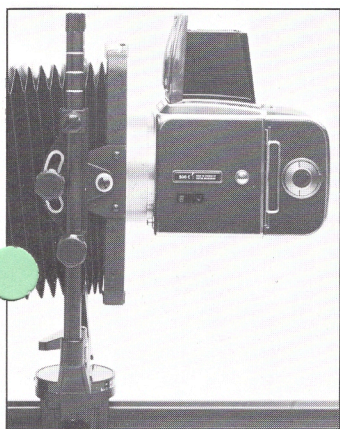
The Cambo SC convertable and additive photographic system



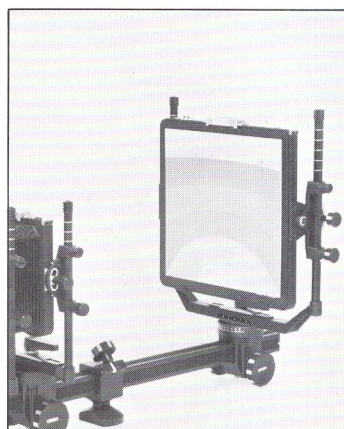
For special operations additional standards and bellows can be mounted to enable any long extension that may be necessary for Macro-Photography.



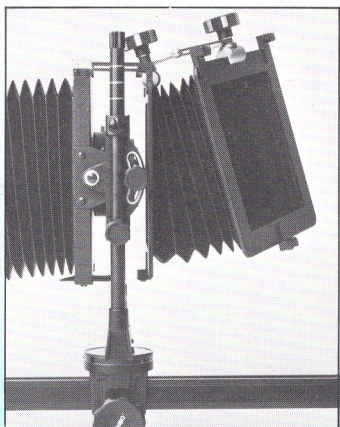
Each type of Cambo SC camera can be used as a vertical repro camera in combination with the Cambo RTM Repro-Copy stand. The camera is attached to the normal tripod mounting head (C209).



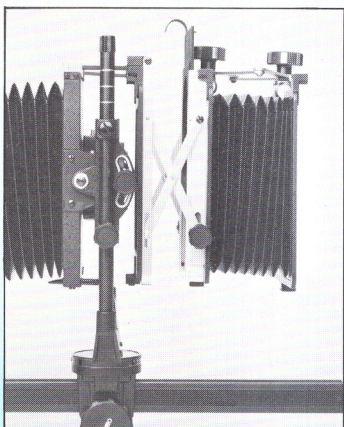
By using adapter plates (C46, C57 and C58) the Cambo SC may be used as a bellows system for the Hasselblad camera.



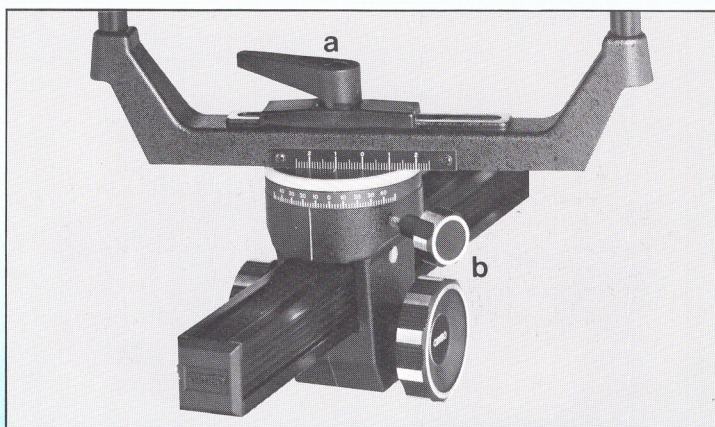
By simply mounting a flat plate (C87) in a standard (C335) on the same rail as the camera, an accurate and totally controllable copy camera is produced.



The compendium lens hood is rigidly held on its own scissor-support and may be freely moved in all directions (C67 for SC I, C8 for SC II, III and IV).

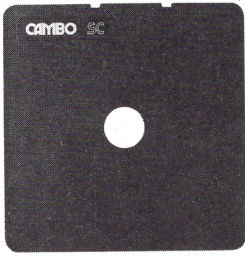


A compendium lens hood of the swing up type with a convenient holder for filter holders 10 x 10 cm/4" x 4", vignettes and other front-of-lens accessories (C68 for SC I, C100 for SC II, III and IV).



The new locking system enables individual adjustment of the lateral movement (controlled by Lever A) and the swing movement (controlled by Knob B). The precise adjustments are indicated on a scale and the central zero position is established by a click stop.

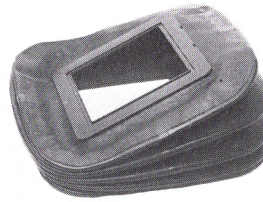
Accessories and interchangeable parts of the Cambo SC system



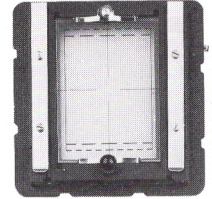
- C63 Lens board, flat, for SC I.
Hole 26,7 mm ϕ
- C7 Idem, for SC II, III and IV.
Hole 26,7 mm ϕ
- C223 Idem, hole 34,7 mm ϕ
- C224 Idem, hole 41,7 mm ϕ
- C225 Idem, hole 65,1 mm ϕ



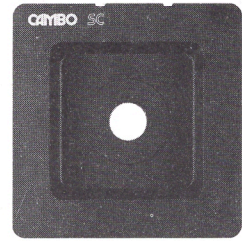
- C246 Dust cover, for SC I
- C247 Idem, for SC II, III and IV



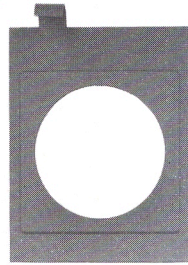
- C69 Wide-angle bellows, leather. For SC I
- C17 Idem, for SC II
- C18 Idem, for SC III
- C380 Idem, for SC IV



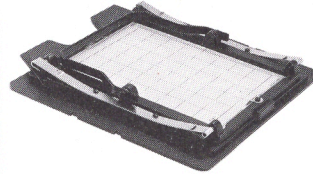
- C210 Rollfilm adapter back, with removable ground glass panel. For SC I



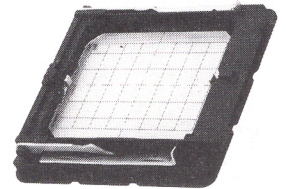
- C72 Lens board, recessed, for SC I. Hole 26,7 mm ϕ
- C110 Idem, but especially for Super Angulon 47 mm lens
- C42 Lens board, recessed, for SC II, III and IV.
Hole 26,7 mm ϕ
- C228 Idem, hole 34,7 mm ϕ



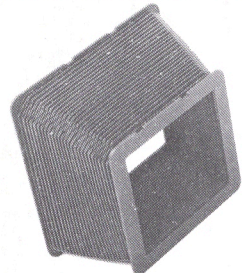
- C79 Filter holder for C68 compendium
- C89 Idem, for C100



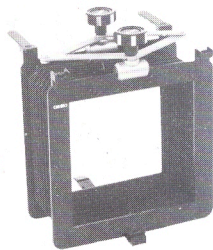
- C60 Spring back for double holders. For SC I
- C11 Idem, for SC III
- C333 Idem, for SC IV



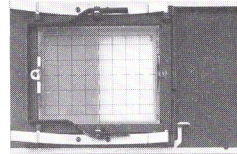
- C168 International back 9 x 12 cm/4 x 5", with removable ground glass panel, accepting T20, T21. Both for double holders and roll film. For SC II



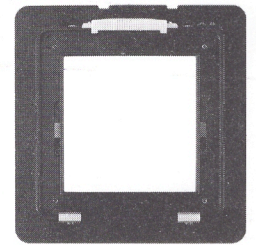
- C62 Square bellows, for SC I
- C6 Idem, for SC II
- C15 Tapered bellows, for SC III
- C336 Idem, for SC IV
- C76 Idem, for conversion of SC I into SC II



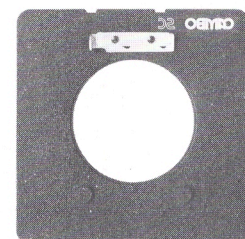
- C67 Compendium lens hood, for SC I
- C8 Idem, for SC II, III and IV
- C339 Idem, for SC IV, but especially for 360 mm lens



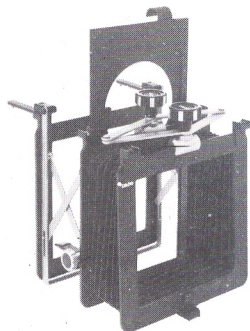
- C386 Dividing back, for taking 2 exposures on 9 x 12 cm/4 x 5" film. For SC II
- C106 Idem, for taking 2 exposures on 13 x 18 cm/5 x 7" film. For SC III



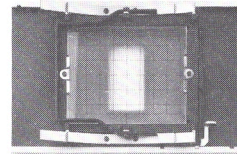
- C202 Reducing frame, accepting backs C60, C210. For SC II
- C203 Idem, for SC III
- C204 Idem, for SC IV
- C205 Reducing frame, accepting backs C168, C40, C386, C381. For SC III
- C206 Idem, for SC IV
- C207 Reducing frame, accepting backs C11, C12, C106. For SC IV



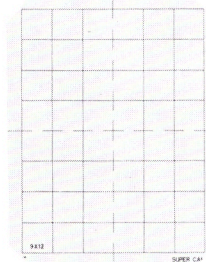
- C93 Lens board adapter, accepting Linhof lens board
- C94 Idem, for Graflex board
- C103 Idem, for Sinar board



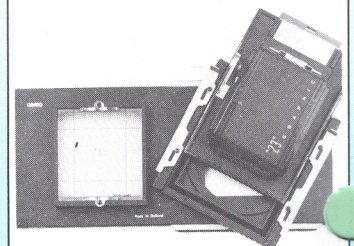
- C68 Compendium lens hood with frame for filter holder, incl 2 filter holders. Swing-up type. For SC I
- C100 Idem, for SC II, III and IV (not for 360 mm lens)



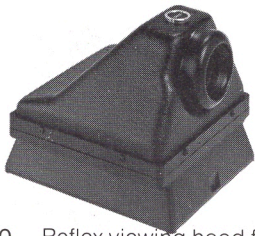
- C381 Back for taking 3 exposures on 9 x 12 cm/4 x 5" film. For SC II



- C74 Ground glass, ruled, for SC I
- C43 Idem, for SC II
- C44 Idem, for SC III
- C54 Idem, for SC IV



- C40 Rollfilm adapter back, with sliding ground glass panel, accepting T20, T21. For SC II



T20 Reflex viewing hood for horizontal and vertical use, fitting C168 and C40. For SC II



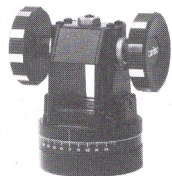
T21 In-line viewing hood, fitting C168 and C40. For SC II



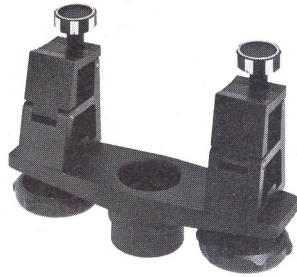
C159 Fresnel lens. For SC I
C158 Idem, for SC II
C161 Idem, for SC III
C162 Idem, for SC IV



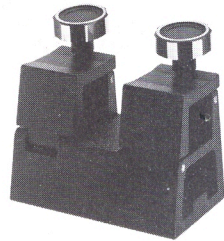
C169 Focusing magnifier, 5 x



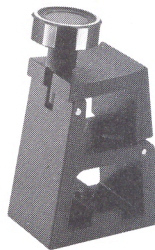
C145 Special tripod mounting device, to transport complete camera forward or backward



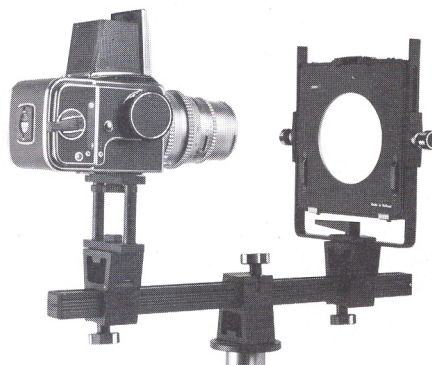
C338 Tripod mounting head, fixed. For SC IV



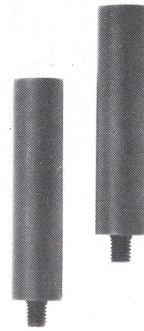
C378 Connection clamp for monorails



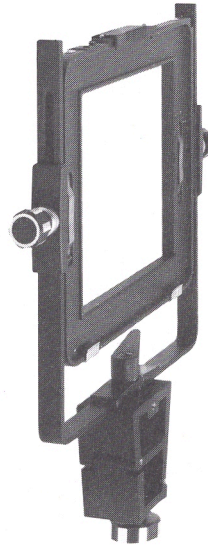
C209 Tripod mounting head, fixed. For SC I, II and III



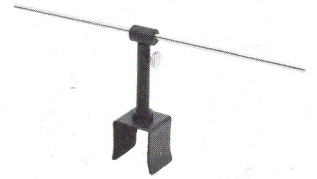
VGH Holder for all types of masks and devices in front of the lens, to obtain special photographic effects, consists of:



C84 Extenders, upright, for C366 standard, 5 cms long. For SC I



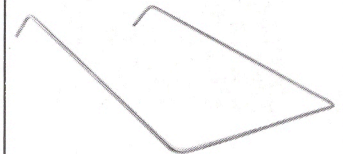
C144 Coupling unit for bellows with mounting flanges 9 x 12/4 x 5"



C19 Bellows support. For SC II, III and IV



C57 Adapter for Hasselblad camera. For SC I
C46 Idem, for SC II
C58 Idem, for SC III



C73 Bracket for cloth viewing hood. For SC I
C4 Idem, for SC II and III
C34 Idem, for SC IV



C64 rail, 30 cms/11 1/2"
C10 Idem, 44 cms/17 1/2"
C16 Idem, 54 cms/21 1/4"
C37 Idem, 75 cms/30"
C45 Idem, available in special lengths from 10 - 100 cms/4" - 40"



C70 Aluminium carrying case. For SC I
C20 Idem, for SC II
C21 Idem, for SC III
C39 Idem, for SC IV

C209 Tripod mounting head, fixed
C10 Monorail, 44 cms/17 1/2" long
C144 Coupling unit for bellows 9 x 12 cm/4 x 5"
C171 Flat plate with springs, hole 10 cm/4" o
C172 Mounting assembly for camera

Accessories and interchangeable parts of the Cambo SC system

CAMBO SC I

- BACKS**
C60 Spring back for double holders 6 x 9 cm/2 1/4 x 3 3/4"
C210 Rollfilm adapter back, with removable ground glass panel
C57 Adapter for Hasselblad camera
BELLOWS
C62 Normal bellows
C69 Wide-angle bellows, leather
C323 Wide-angle bellows, imitation leather
C76 Bellows, tapered from 9 x 12 cm/4 x 5" to 6 x 9 cm/2 1/4 x 3 3/4"
CARRYING CASE
C70 Aluminium carrying case; inner sizes 42 x 22 x 32 cms.
COMPENDIUMS
C67 Compendium lens hood
C68 Compendium lens hood; with frame for filter holders, incl. 2 C79
C79 Filter holders for C68
DUST COVER
C246 Dust cover, model I; 27 x 27 x 27 cms.
FILM HOLDERS
C211 Horseman rollfilm holder (8 exp. on 120 film)
C212 Horseman rollfilm holder (10 exp. on 120 film)
FOCUSING AIDS
C74 Ground glass, ruled
C159 Fresnel lens
C169 Focusing magnifier, 5 x
C73 Bracket for cloth viewing hood
LENS BOARDS
C63 Lens board, flat, for 00-shutter
C72 Lens board, recessed, for 00-shutter
C110 Lens board, recessed, for Super Angulon 47 mm lens
MONORAILS
C45 Monorail, special lengths available, from 10 to 100 cms 4 to 40"
C64 Square monorail track, 30 cms/1 1/2" long
C378 Connection clamp for monorails
STANDARDS
C366 Standard with 2 C56; can be used both as front and rear standard
C84 Extenders, upright, for C366
C56 Spirit level
TRIPOD MOUNTING HEADS
C209 Tripod mounting head, fixed
C145 Special tripod mounting device, to transport complete camera forward or backward. For Macro-Photography.

CAMBO SC II

- BACKS**
C168 International back
C40 Rollfilm adapter back, with sliding ground glass panel
C386 Dividing back, for taking 2 exposures on 9 x 12 cm/4 x 5" film
C381 Police-back for taking 3 exposures on 9 x 12 cm/4 x 5" film
C46 Adapter for Hasselblad camera
BELLOWS
C6 Normal bellows
C17 Wide-angle bellows, leather
C324 Wide-angle bellows, imitation leather
C19 Bellows support
CARRYING CASE
C20 Aluminium carrying case; inner sizes 56 x 26 x 39 cms.

CAMBO SC II (continued)

- COMPENDIUMS**
C8 Compendium lens hood
C100 Compendium lens hood with frame for filter holders, swing-up system, incl. 2 C89
C89 Filter holder for C100
DUST COVER
C247 Dust cover, model II; 42 x 42 x 42 cms.
FILM HOLDERS
C197 Graflex rollfilm holder 1295 (10 exp. on 120 film) with 4 x 5" adapter plate
C213 Horseman rollfilm holder (8 exp. on 120 film) with 4 x 5" adapter plate
T11 Metal ground glass mask 56 x 72 mm for use with C197
T12 Metal ground glass mask 56 x 82 mm for use with C213
T14 Metal ground glass mask for use with Polaroid 405 holder
FOCUSING AIDS
C43 Ground glass, ruled
C158 Fresnel lens
C92 Ground glass for C40
C165 Ground glass, with lines for rollfilm 6 1/2 x 9 cm, 6 x 7 cm and 2 1/4 x 3 1/4"
C166 Ground glass, not ruled
C169 Focusing magnifier, 5 x
C4 Bracket for cloth viewing hood
T20 Reflex viewing hood for horizontal and vertical use
T21 In-line viewing hood
LENS BOARDS
C7 Lens board, flat, for 00-shutter
C223 Lens board, flat, for 0-shutter
C224 Lens board, flat, for 1-shutter
C225 Lens board, flat, for 3-shutter
C42 Lens board, recessed, for 00-shutter
C228 Lens board, recessed, for 0-shutter
C93 Lens board adapter, accepting Linhof lens board
C94 Lens board adapter, accepting Graflex lens board
C103 Lens board adapter, accepting Sinar lens board
C174 Lens board adapter, accepting TWR-54 lens board
MONORAILS
C10 Square monorail track, 44 cms/17 1/2" long
C16 Square monorail track, 54 cms/21 1/4" long
C45 Monorail, special lengths available, from 10 to 100 cms 4 to 40"
C378 Connection clamp for monorails
REDUCING FRAME
C202 Reducing frame, from 9 x 12 cm/4 x 5" to 6 x 9 cm/2 1/4 x 3 3/4"
STANDARDS
C313 Standard with 2 C56; can be used both as front and rear standard
C56 Spirit level
C144 Coupling unit for bellows
TRIPOD MOUNTING HEADS
C209 Tripod mounting head, fixed
C145 Special tripod mounting device, to transport complete camera forward or backward. For Macro-Photography

CAMBO SC III

- BACKS**
C11 Spring back for double holders 13 x 18 cm/5 x 7"
C12 Spring back for metal single plate holders 13 x 18 cm
C106 Dividing back, for taking 2 exposures on 13 x 18 cm/5 x 7" film
C58 Adapter for Hasselblad camera
BELLOWS
C15 Normal bellows
C18 Wide-angle bellows, leather
C325 Wide-angle bellows, imitation leather
C19 Bellows support
CARRYING CASE
C21 Aluminium carrying case; inner sizes 58,5 x 31,5 x 41,5 cms.
COMPENDIUMS
C8 Compendium lens hood
C100 Compendium lens hood with frame for filter holders, swing-up system, incl. 2 C89
C89 Filter holder for C100
DUST COVER
C247 Dust cover, model II; 42 x 42 x 42 cms
FOCUSING AIDS
C44 Ground glass, ruled
C161 Fresnel lens
C169 Focusing magnifier, 5 x
C4 Bracket for cloth viewing hood
LENS BOARDS
C7 Lens board, flat, for 00-shutter
C223 Lens board, flat, for 0-shutter
C224 Lens board, flat, for 1-shutter
C225 Lens board, flat, for 3-shutter
C42 Lens board, recessed, for 00-shutter
C228 Lens board, recessed, for 0-shutter
C93 Lens board adapter, accepting Linhof lens board
C94 Lens board adapter, accepting Graflex lens board
C103 Lens board adapter, accepting Sinar lens board
C174 Lens board adapter, accepting TWR-54 lens board
C98 Flat plate fitting C314
MONORAILS
C16 Square monorail track, 54 cms/21 1/4" long
C45 Monorail, special lengths available, from 10 to 100 cms 4 to 40"
C378 Connection clamp for monorails
REDUCING FRAMES
C203 Reducing frame from 13 x 18 cm/5 x 7" to 6 x 9 cm/2 1/4 x 3 3/4"
C205 Reducing frame from 13 x 18 cm/5 x 7" to 9 x 12 cm/4 x 5"
STANDARDS
C313 Front standard, 9 x 12 cm/4 x 5", with 2 C56
C314 Rear standard 13 x 18 cm/5 x 7", with 2 C56
C56 Spirit level
C144 Coupling unit for bellows
TRIPOD MOUNTING HEAD
C209 Tripod mounting head, fixed

CAMBO SC IV

- BACK**
C333 Spring back for double holders 18 x 24 cm/8 x 10" and the Polaroid 81-05 holder
BELLOWS
C336 Normal bellows
C380 Wide-angle bellows, leather
C326 Wide-angle bellows, imitation leather
C19 Bellows support
CARRYING CASE
C39 Aluminium carrying case; inner sizes 79,5 x 43 x 50,5 cms.
COMPENDIUMS
C8 Compendium lens hood
C100 Compendium lens hood with frame for filter holders, swing-up system, incl. 2 C89 (not suitable for use with 360 mm lens)
C89 Filter holder for C100
C339 Compendium, especially for use with 360 mm lens
DUST COVER
C247 Dust cover, model II, 42 x 42 x 42 cms.
FOCUSING AIDS
C54 Ground glass, ruled
C162 Fresnel lens
C169 Focusing magnifier, 5 x
C34 Bracket for cloth viewing hood
LENS BOARDS
C7 Lens board, flat, for 00-shutter
C223 Lens board, flat, for 0-shutter
C224 Lens board, flat, for 1-shutter
C225 Lens board, flat, for 3-shutter
C42 Lens board, recessed, for 00-shutter
C228 Lens board, recessed, for 0-shutter
C93 Lens board adapter, accepting Linhof lens board
C94 Lens board adapter, accepting Graflex lens board
C103 Lens board adapter, accepting Sinar lens board
C174 Lens board adapter, accepting TWR-54 lens board
C87 Flat plate fitting C335
MONORAILS
C37 Square monorail track, 75 cms/30" long
C45 Monorail, special lengths available, from 10 to 100 cms 4 to 40"
C378 Connection clamp for monorails
REDUCING FRAMES
C204 Reducing frame, from 18 x 24 cm/8 x 10" to 6 x 9 cm/2 1/4 x 3 3/4"
C206 Reducing frame, from 18 x 24 cm/8 x 10" to 9 x 12 cm/4 x 5"
C207 Reducing frame, from 18 x 24 cm/8 x 10" to 13 x 18 cm/5 x 7"
STANDARDS
C313 Front standard, 9 x 12 cm/4 x 5", with 2 C56
C335 Rear standard 18 x 24 cm/8 x 10", with 2 C56
C56 Spirit level
C144 Coupling unit for bellows
TRIPOD MOUNTING HEAD
C338 Tripod mounting head, fixed

Convertibility of the Cambo SC view cameras

Cambo SC cameras can be converted from one format to another with extreme ease due to the interchangeability of camera parts. As a guide, the parts necessary for conversion from one format to another are displayed alongside. Of course, there are a variety of other possibilities, the choice of accessories for which will largely depend on your existing equipment.

	SC I	SC II	SC III	SC IV
SC I	SC I →	C168 C313 C76 C16		
SC II	C210 C202	← SC II →	C11 C314 C15	C333 C335 C336 C37 C338 C19
SC III	C210 C203	C168 C205	← SC III →	C333 C335 C336 C37 C338 C19
SC IV	C210 C204	C168 C206	C11 C207	← SC IV



ARKAY CORPORATION
Milwaukee, Wisc. 53204
EXCLUSIVE DEALER
DISTRIBUTOR

Cambo B.V.
Manufacturers of photographic equipment
Kampen / Holland