

Polaroid
Polatronic
Flash #2350

For Polaroid
SONAR OneStep
Land Cameras

Polaroid



THIS PRODUCT IS APPROVED BY UNDERWRITERS' LABORATORIES, INC. (UL). AS A CONDITION OF APPROVAL, UL REQUIRES THAT THE FOLLOWING INFORMATION BE PROVIDED:

IMPORTANT SAFEGUARDS

AS WITH ANY BATTERY-OPERATED EQUIPMENT, OBSERVE THESE BASIC SAFETY PRECAUTIONS:

1. FOLLOW ALL INSTRUCTIONS.
2. CLOSELY SUPERVISE UNIT WHEN IT IS BEING USED BY OR NEAR CHILDREN. DO NOT LEAVE UNIT UNATTENDED WHILE IN USE.
3. ALWAYS USE BATTERIES RECOMMENDED.
4. DO NOT USE UNIT IF CORD IS DAMAGED OR IF UNIT HAS BEEN DROPPED OR DAMAGED—UNTIL IT HAS BEEN EXAMINED BY AN AUTHORIZED POLAROID SERVICEMAN.
5. ALWAYS UNPLUG UNIT FROM CAMERA WHEN IT IS NOT IN USE. GRASP PLUG—*NOT CORD*—AND PULL TO DISCONNECT.
6. TO AVOID ELECTRICAL SHOCK HAZARDS, DO NOT DISASSEMBLE UNIT. SERVICE OR REPAIR WORK MUST BE DONE ONLY BY AN AUTHORIZED POLAROID SERVICE CENTER. INCORRECT REASSEMBLY CAN CAUSE ELECTRICAL SHOCK WHEN UNIT IS USED AGAIN. DO NOT IMMERGE UNIT IN WATER OR OTHER FLUIDS.

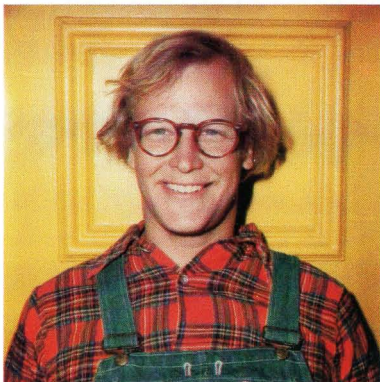
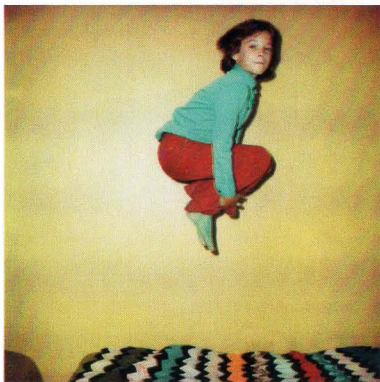
PLEASE KEEP THESE INSTRUCTIONS

Your Polatronic flash ...

- has special electronic circuitry to match the electronics in your SONAR OneStep camera.
- can recharge in less than 10 seconds.
- signals the camera not to operate when the flash is turned off or not fully charged—so you won't waste film.
- will not fire when the film pack is empty.
- can be used to combine flash with daylight for better outdoor pictures.

It's 1/1000 of a second flash ...

- stops most action in crisp detail.
- catches the natural expression you want.



To load the batteries

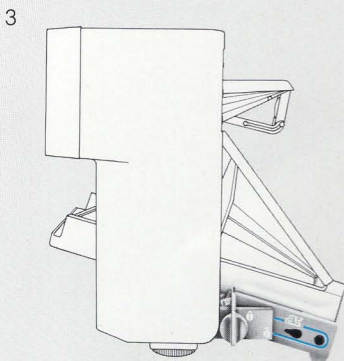
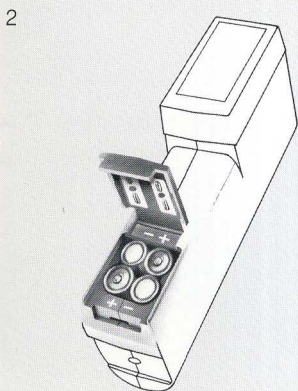
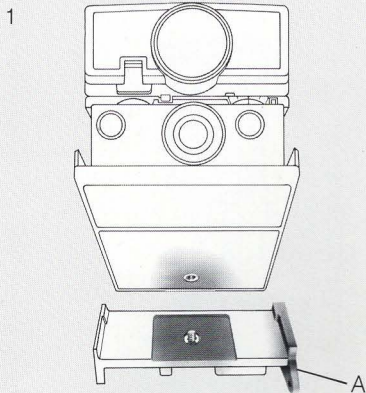
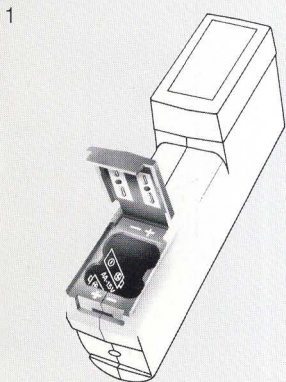
(Must be purchased separately)

Your flash unit uses four 1.5V AA alkaline batteries. A fresh set will supply about 100 flashes.

1. To open the battery compartment, slide the door down, then lift up.
2. Insert the batteries in the directions shown inside the compartment. Close the door until it snaps shut.

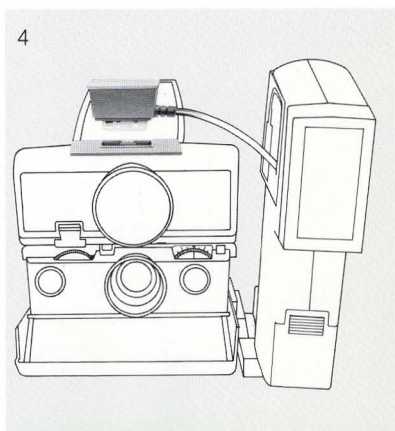
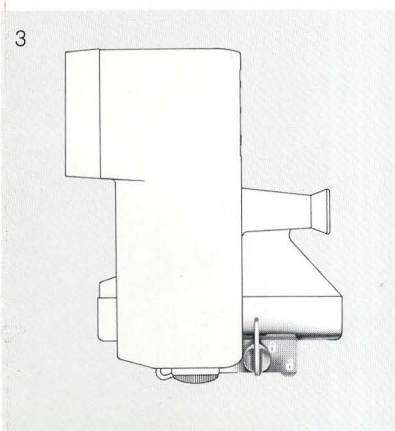
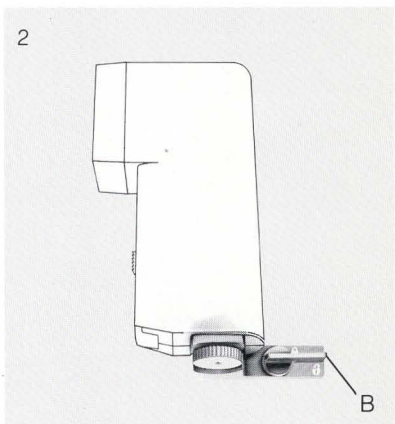
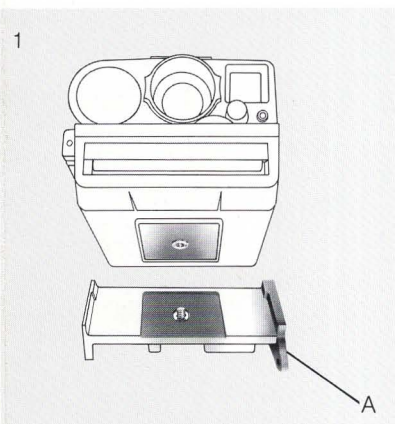
To attach the flash unit to the camera

1. Turn the front of the camera toward you. Hold the camera bracket so its longer end (A) faces you, as shown. Insert the bracket screw into the socket on the bottom of the camera. Tighten the screw.
2. Slide the flash bracket into the recess on the bottom of the flash unit. Tighten the screw. Be sure the lever (B) is in the unlocked position, as shown.



3. Insert the flash bracket into the camera bracket. Use the three holes circled in white if you own the SX-70 camera. The three holes circled in blue are for the Pronto camera. Then turn the lever to the locked position.
4. Plug the flash cord into the camera, the single blade fits into the SX-70 camera; the double blades are for the Pronto camera.

Important: Before plugging the cord in, cover the unused blade(s) with the cap provided with the flash unit.



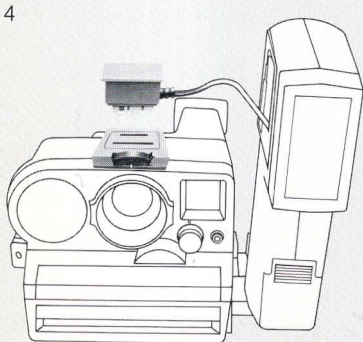
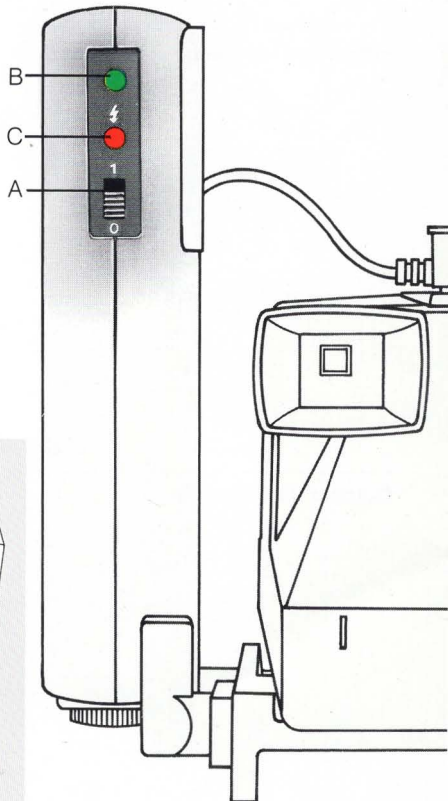
To use the flash controls

Push the ON/OFF switch (A) up to turn the unit on.

Watch for the green READY light (B). When it comes on, the flash is ready to fire.

With a fresh set of batteries, it should take less than 10 seconds for the light to appear. If it takes longer than 30 seconds, it's time to replace the batteries.

Press the red TEST button (C) if you want to test the flash or the recharge time.



Flash—indoors and out

Indoors:

For best results, follow the indoor flash hints on page 18 of your camera instruction book.

Outdoors in daylight:

You can combine flash with daylight to correct lighting situations that might otherwise have produced disappointing results. This feature is described on page 16 in your camera instruction book.

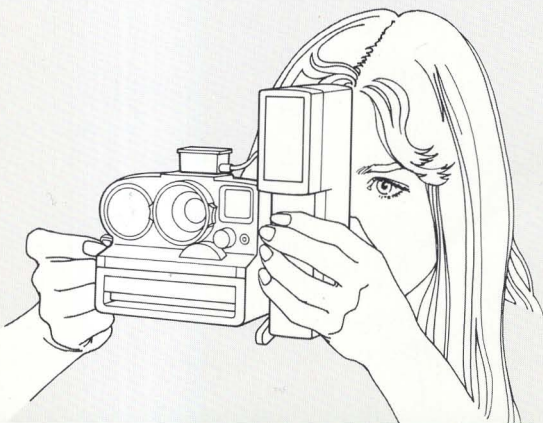
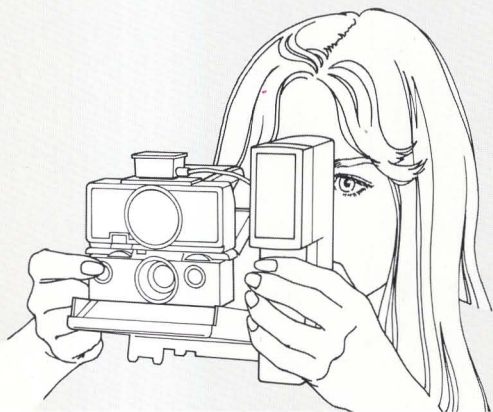
	SX-70	Pronto
Indoor flash ranges:	From 2 to 12 feet From 10.4 inches to 2 feet (With the Flash Director on the flash unit.)	From 3 to 10 feet
Outdoor flash ranges:	From 3 to 12 feet (The 4 to 12 foot outdoor flash range in your camera instruction book applies to FlashBars only.)	From 3 to 10 feet (The 3 to 12 foot range in your camera instruction book applies to FlashBars only.)

To take a picture

Hold the camera as shown and stay within the flash range for your camera.

When the green READY light comes on, frame your picture in the viewfinder and squeeze the shutter button. The camera will set the lens instantly, automatically.

When you've finished shooting, remember to turn the flash unit off.



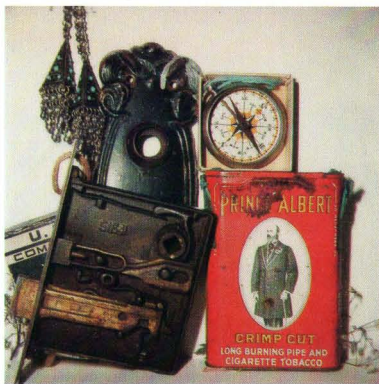
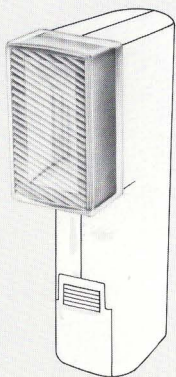
The Flash Director

(For the SX-70 camera only)

When shooting close-ups— from 10.4 inches to 2 feet— slide this accessory over the flash shield, as shown below.

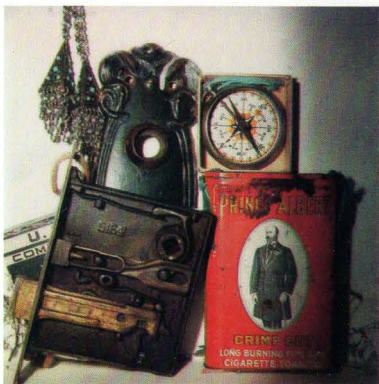
It will redirect the light from the flash to provide more even illumination across the scene, as shown.

Remember to remove the Flash Director when shooting beyond 2 feet.



With the Flash Director

Without the Flash Director



Call us, free

If you ever have a question about your flash unit or your pictures, call us toll free...

800-225-1384

from anywhere in the continental U.S.A. except Massachusetts and Alaska. From those states, call collect—(617) 864-4568. In Canada, call toll free—800-261-6970. Our Customer Service representatives can be reached every weekday from 8 a.m. to 5 p.m., your local time.

The care of your flash unit

Protect it from moisture and from extreme heat and cold. And always turn the unit off when not using it.

If you plan to store the unit for an extended period of time, it's best to remove the batteries to help prevent corrosion.

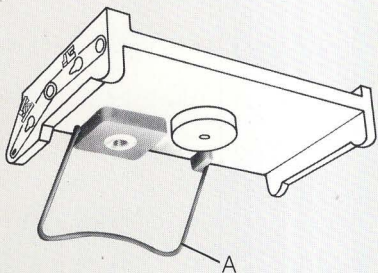
If you store the unit for less than 6 months, it's recommended you fire the flash two or three times every month. To do this, turn the unit on, wait for the READY light, then press the red TEST button.

If you haven't fired the flash for more than 6 months, it may take longer than 30 seconds for the READY light to come on for your first picture.

To support your camera for picture taking

The tripod socket on the bottom of the camera bracket fits most standard tripods.

Or, if you own the SX-70 camera, you can also place it on a flat surface by swinging the wire support (A) forward.



If the flash fails to fire

Be sure ...

- the unit has been turned on.
- the flash cord is plugged into the camera.
- the green READY light is on. If it takes longer than 30 seconds or if it fails to come on, replace the batteries.

Full one-year warranty

If this product proves to be defective within the warranty period we will repair it, or at our option, replace it with a similar product, without charge.

The warranty period is one year from the original date of purchase.

To verify the warranty period, you should keep the sales slip or other proof of the purchase date. Without this information, the warranty period is two years from the manufacturing date on the product.

This warranty does not cover damage caused by accident, misuse, or tampering with the product, and a charge will be made for such repairs.

For warranty service, the product must be returned to and repaired by a Polaroid Service Center or Authorized Service Center. You can return the product through your Polaroid camera dealer. If that is not convenient, see page 37 in your camera instruction book for information on how to return the product, or call Customer Service toll free at 800-225-1384 from anywhere in the continental U.S.A. except Massachusetts and Alaska. From those states, call collect (617) 864-4568. In Canada call toll free 800-261-6970.

This warranty gives you specific legal rights, and you may also have other rights which vary from state to state.

This warranty excludes all consequential damages. Some states do not allow the exclusion or limitation of incidental or consequential damages, so the foregoing limitation or exclusion may not apply to you.

