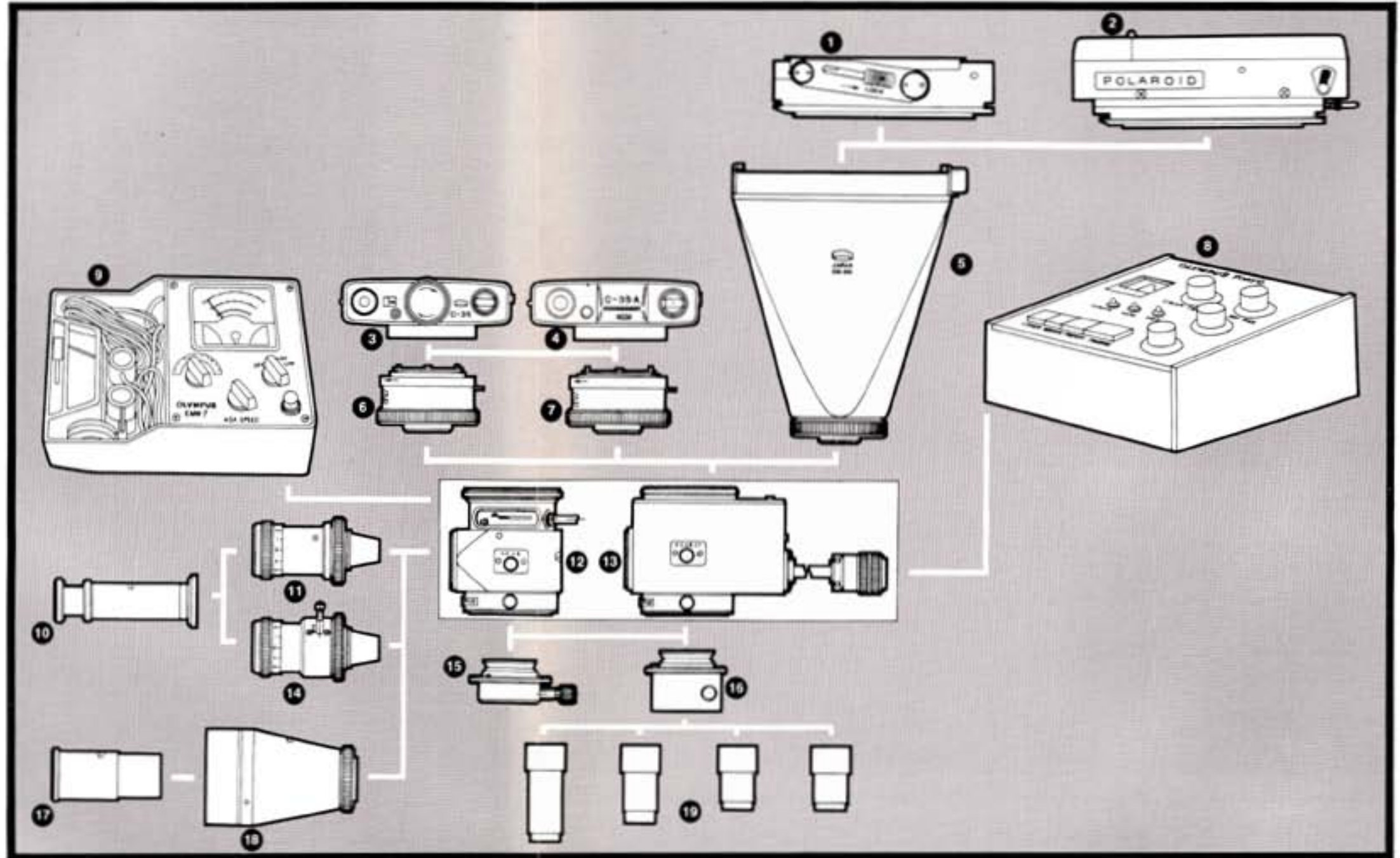


THE PHOTOMICROGRAPHY GROUP

- Most advanced and comprehensive photomicrographic system
- Full range of accessories to permit OM Camera bodies usage with microscopes
- Links to: Olympus general research microscopes, specialized biological and metallurgical microscopes, and simpler general purpose microscopes

The Photomicrography Group provides both Manual and Automatic Exposure Bodies to link OM camera bodies to microscopes. The electronic brain of the Automatic Exposure Body is particularly suited to the long and exacting exposures required in photomicrography, with a maximum exposure duration of 32 minutes, and exposure control units for each exposure body insure accurate exposure control and color temperature regulation. The massive Photomicrographic Supporting Stand achieves vibration-free results by isolating the camera body from the microscope, and a host of adapters and focusing aids makes photography of the infinitesimal a matter of routine.

- 1 4" x 5" Intermediate Adapter (to accept 4" x 5" Polaroid® film back, Graphmatic film holder, Graphic film pack adapter, Graphic sheet film holder, Linhof film holder) (PM-C4 x 5)
- 2 3 1/4" x 4 1/4" Polaroid® Back (PM-CP)
- 3 35mm Camera Back with Manual Film Advance (C-35DA)
- 4 35mm Camera Back with Automatic Film Advance (C-35ADA)
- 5 Adapter with Relay Lens for Large Format Backs (PM-DL)
- 6 Adapter for 35mm Camera Back with Manual Film Advance (PM-D35)
- 7 Adapter for 35mm Camera Back with Automatic Film Advance (PM-D35A)
- 8 Control Unit for Fully Automatic System Camera Back (PM-CBA)
- 9 Exposure Meter (EMM-7)
- 10 Focusing Magnifier (FT)
- 11 Focusing Telescope (PM-VS)
- 12 Manual Exposure Body (PM-PBM)
- 13 Automatic Exposure Body (PM-PBA)
- 14 Turret Mask Focusing Telescope (PM-VTM)
- 15 Eyepiece Adapter for "P" Eyepieces (PM-ADP)
- 16 Eyepiece Adapter for FK Photo Eyepieces (PM-ADF)
- 17 5X Magnifier (5X LP)
- 18 Screen Viewer (PM-VSC)
- 19 Photo Eyepieces FK2.5X, FK3.3X, FK5X, FK6.7X



PM-PBM MANUAL EXPOSURE BODY

Its integrated mechanical shutter is mounted in shock-proof rubber for manually regulated exposures ranging from 1/250 to 32 seconds for 35mm film, and from 1/30 to 128 seconds for large-format films. It attaches to the EMM7 Exposure Meter for exposure time and color temperature readings. The cable release has a time exposure lock. A 3-position light-path selector routes the light to a focusing telescope, film plane and focusing telescope, or EMM7 Exposure Meter via a light measuring port. It also has a shutter cocking lever, shutter speed lever, flash synchro socket, and quick-clamp mount for focusing telescopes. For use with all black and white and color film, speeds 6 to 3,000 ASA. Magnification at the film plane with various eyepieces is the same as for the Automatic Exposure Body. Adapts for manual film advance and large-format camera backs.

ORDERING INFORMATION

PM-PBM Manual Exposure Body

Stock No. 105-003

PM-PBA AUTOMATIC EXPOSURE BODY

For automatic exposure control, used in conjunction with the PM-CBA Exposure Control Unit. Its built-in CdS meter measures illumination through its eyepiece and sets exposures from 1/100 second to 32 minutes, reads in the central circle comprising 30% of the photographic field with 35mm film. A button releases its vibration-proof electronic shutter. It automatically regulates color temperature and compensates for reciprocity failure. Features a 3-position light path selector with sliding prisms, quick-clamp adapter to microscope phototubes, and connecting cord to the Exposure Control Unit. For black and white or color film of any speed from 6 to 3,200 ASA. With FK eyepieces, magnification at the film plane equals objective power times FK eyepiece power. With P eyepieces, the magnification equals objective power times half the P eyepiece power. Adapts for data camera and large-format backs.

ORDERING INFORMATION

PM-PBA Automatic Exposure Body

Stock No. 105-001

PM-VCS SCREEN VIEWER

For use with objective lenses lower than 4X power. A hood reduces light on the viewing screen. The ring clamps to Automatic and Manual Exposure Bodies. Reticles indicate picture area according to camera back in use.

ORDERING INFORMATION

PM-VCS Screen Viewer

Stock No. 105-031

EMM7 PHOTOMICROGRAPHIC EXPOSURE METER

Two CdS probes measure both color temperature and exposure. The meter shows correct exposure times. Dials adjust for film speed and regulate the color temperature. Unit is complete with rubber light shield, filter mount, and two color-compensating filters, light blue and magenta. Used in conjunction with the Manual Exposure Body PM-PBM, and with the Olympus photomicrographic unit PMT-35 and Olympus inverted metallurgical microscope MG for reading with index charts.

ORDERING INFORMATION

EMM7 Photomicrographic Exposure Meter

Stock No. 105-015

PM-CBA EXPOSURE CONTROL UNIT

Console with switches for automatic exposure, time exposure, and flash synchronization. Dials for ASA fine regulation and color temperature regulation. Buttons for automatic shutter release, manual shutter release, film advance, and light check. Used in conjunction with the Automatic Exposure Body PM-PBA.

ORDERING INFORMATION

PM-CBA Exposure Control Unit

Stock No. 105-014

PM-VS FOCUSING TELESCOPE

Used with the Automatic or Manual Exposure Body for focusing at magnifications greater than 4X. A knurled ring clamps to the exposure body. Fixed frame reticles indicate 35mm, 2 1/4" x 2 1/4", 3 1/4" x 4 1/4" and 4" x 5" sizes. (Field of View eyepieces recommended instead of PM-VS or PM-VTM with VANOX.)

ORDERING INFORMATION

PM-VS Focusing Telescope

Stock No. 105-004

5XLP MAGNIFIER

Combines with the Screen Viewer for more critical focusing needs. Magnifies any part of the subject area.

ORDERING INFORMATION

5XLP Magnifier

Stock No. 105-032

FT FOCUSING MAGNIFIER

In conjunction with the Focusing Telescope or the Turret Mask Focusing Telescope, magnifies the center of the image to achieve sharpest focus. The front lens section moves sideways to permit focusing on the frame reticles of a focusing telescope. Complete with mounting ring.

ORDERING INFORMATION**FT Focusing Magnifier**

Stock No. 105-005

**PM-D35S ADAPTER FOR
OM CAMERA BODIES, WITH
ADAPTER H**

Used in conjunction with Adapter H, to connect the OM-1 camera body to photomicrographic system camera PM-10, manual or automatic.

ORDERING INFORMATION**PM-D35S Adapter for OM Camera Bodies with Adapter H**

Stock No. 105-011

**PM-VTM TURRET MASK
FOCUSING TELESCOPE**

For critical focusing through objective lenses at magnifications greater than 4X, used in conjunction with PM-PBA Automatic Exposure Body or PM-PBM Manual Exposure Body. (Field of View Eyepieces recommended instead of PM-VTM or PM-VS with VANOX.)

ORDERING INFORMATION**PM-VTM Turret Mask Focusing Telescope**

Stock No. 105-002

**PM-PSS PHOTOMICROGRAPHIC
STAND**

Handsome, heavy-duty supporting stand totally eliminates vibration, especially in large-format photomicrography. Isolates the camera from the microscope and supports the total camera body weight.

ORDERING INFORMATION**PM-PSS Photomicrographic Stand**

Stock No. 105-034

**SET OF 3 STOPS FOR PM-PSS
PHOTOMICROGRAPHIC STAND****ORDERING INFORMATION**

Stock No. 105-035

**POLAROID 4" x 5"
SHEET FILM HOLDER**

For black and white or color prints for immediate study in less than a minute.

ORDERING INFORMATION**Polaroid 4" x 5" Sheet Film Holder**

Stock No. 105-033

**PM-CP 3¼" x 4¼"
POLAROID FILM HOLDER**

Produces black and white or color prints in less than a minute for immediate study.

ORDERING INFORMATION**PM-CP 3¼" x 4¼" Polaroid Film Holder**

Stock No. 105-010

C-35 ADA DATA CAMERA BACK

Attaches to the automatic PM-10-A camera for automatic film advance and data imprint capability. Each frame is instantly encoded with alphabetical and numerical symbols as it is shot. Combines picture taking and record keeping at the press of a button.

ORDERING INFORMATION**C-35 ADA Data Camera Back**

Stock No. 105-006

C-35 35mm MANUAL CAMERA BACK

Interchangeable rear cover for manual PM-10-M camera with large film advance knob for manual film advance. Light-proof shutter allows switching even when the camera is loaded.

ORDERING INFORMATION**C-35 35mm Manual Camera Back**

Stock No. 105-012

PM-D35A ADAPTER FOR C-35 ADA

Used with the C-35 ADA Data Camera Back to adapt for the Exposure Body.

ORDERING INFORMATION**PM-D35A Adapter for C-35 ADA**

Stock No. 105-007

PM-DL ADAPTER FOR LARGE-FORMAT BACKS

Fits automatic or manual OM System photomicro cameras for use with large-format camera backs of 3¼" x 4¼" and 4" x 5" film sizes. With FK eyepieces, total magnification equals objective power times FK eyepiece power times 3. With P eyepieces, total magnification equals objective power times P eyepiece power times approximately 1.5.

ORDERING INFORMATION

PM-DL Adapter for Large-Format Backs

Stock No. 105-008

OM PHOTOMICRO ADAPTER L

Links OM camera bodies to a microscope for low power magnification. Direct hook-up to the Universal Research Microscope VANOX and to the PM-PSS Photomicrographic Stand. Requires an eyepiece adapter for other Olympus microscopes. Accepts the eyepiece adapter on a slip-on mount and the OM body on a bayonet mount. Use with Focusing Screen 1-12.

ORDERING INFORMATION

OM Photomicro Adapter L

Stock No. 105-036

FILTERS

Olympus offers 5 filters for color compensation in photomicrography in light blue, neutral-density gray, and didunium magenta. To increase contrast of a particular color in the specimen, a filter of complementary color is used.

ORDERING INFORMATION

LB 45 Filter - Stock No. 105-016

ND 6 Filter - Stock No. 105-017

ND 12 Filter - Stock No. 105-018

ND 50 Filters (2) - Stock No. 105-019

LBD-Didunium Filter - Stock No. 105-020

EYEPIECES

Photo eyepieces put greater magnifying power between the camera and microscope.

ORDERING INFORMATION

FK 2.5X Eyepiece - Stock No. 105-021

FK 3.3X Eyepiece - Stock No. 105-022

FK 5X Eyepiece - Stock No. 105-023

FK 6.7X Eyepiece - Stock No. 105-024

P 7X Eyepiece - Stock No. 105-025

P 10X Eyepiece - Stock No. 105-026

P 15X Eyepiece - Stock No. 105-027

K 20X Eyepiece - Stock No. 105-028

PM-C 4" x 5" INTERMEDIATE ADAPTER

Intermediate Adapter fits the PM-DL Adapter to accept 4" x 5" film holders.

ORDERING INFORMATION

PM-C 4" x 5" Intermediate Adapter

Stock No. 105-009

PM-D35 ADAPTER FOR C-35 DA

Used with the C-35 Manual Camera Back to adapt for the Exposure Body.

ORDERING INFORMATION

PM-D35 Adapter for C-35 DA

Stock No. 105-013

PM-ADP ADAPTER FOR P EYEPIECES

Fits P eyepieces to Automatic or Manual Exposure Bodies or to Photomicro Adapter L.

ORDERING INFORMATION

PM-ADP Adapter for P Eyepieces

Stock No. 105-030

PM-ADF ADAPTER FOR FK EYEPIECES

Fits FK Eyepieces to Automatic or Manual Exposure Bodies or to Photomicro Adapter L. FK Eyepieces are exceptionally well-suited for photomicrography with OM camera bodies.

ORDERING INFORMATION

PM-ADF Adapter for FK Eyepieces

Stock No. 105-029

