

THE FLASH GROUP

- With OM-2 and OM-1
 - Versatile compact and lightweight Auto Quick Flash 310
 - High-intensity light source
 - 1/1000 to 1/40,000 second action-freezing flash

- With OM-2—the Auto Quick Flash 310 is the first and only fully automatic flash unit with through-the-lens camera-regulated flash
 - Flash duration determined *during exposure* and *by the camera*, made possible by OTF (Off-The-Film) light measurement
 - Less battery waste
 - Perfect exposures at close working distances

- ACCESSORIES INCLUDE:
 - adapter for household current
 - remote sensor with cord for OM-1
 - bounce grip with self-contained power supply

- PS 200 QUICK ELECTRONIC FLASH FOR OLYMPUS RANGEFINDERS
 - Small and lightweight
 - Fits any camera with cordless hot shoe
 - Guide Number of 46 at ASA 100

FLASHPHOTO GROUP

QUICK AUTO FLASH 310

The Olympus Quick Auto Flash 310 is a compact, lightweight, and powerful automatic flash unit that was designed to work with the OM-1 and OM-2 or any 35mm SLR.

With the OM-1, and other cameras, the Quick Auto Flash 310 creates perfectly exposed photographs using its own built-in sensor or when coupled with the Remote Sensor (Ideal for bounce flash). Either sensor measures the light being reflected from the subject and "instructs" the flash to cut itself off at the precise moment of perfect exposure. The photographer has only to set the ASA film speed and shutter speed on the Quick Auto Flash 310 and set the lens opening on the camera, as prescribed by the dial on the back of the flash unit.

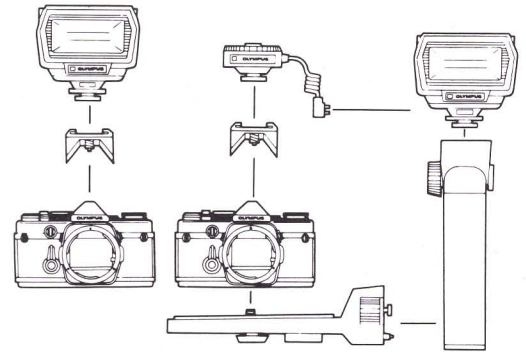
The Quick Auto Flash 310 plugs into the OM-2's computerized light sensors via Accessory Shoe 2. As it flashes, the light is measured through the lens and is automatically cut off at exactly the moment correct exposure is reached. Since the camera sensors measure the light reflected off the film plane during actual exposure, there's no need to set film speed or aperture on the flash itself.

And since the OM-2 regulates the flash duration by measuring the amount of light reflected off the film *during* exposure, the camera automatically compensates for exposure differentials for wide angle and telephoto lenses and bounce lighting.

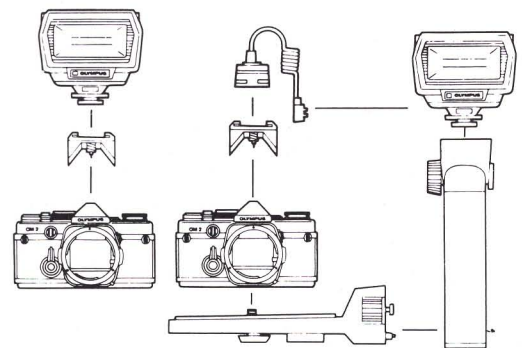
The back of the Quick Auto Flash 310 dials TTL (Through-the-Lens) AUTO, NORMAL AUTO, or MANUAL flash control and indicates f-stop range for TTL AUTO in the distance scale window. Compact but powerful, with a guide number of 34 (ASA 100) at peak output, the 310 features a flash angle wide enough for even picture-area illumination with a 24mm super wide angle lens. Measures 3 3/8 x 3 3/8 x 2 7/8 inches and weighs 11.62 ounces. Fits OM-2, OM-1, and other cameras.

ORDERING INFORMATION

Quick Auto Flash 310
Stock No. 107-011



FOR OM-1



FOR OM-2

Complete flash system includes Quick Auto Flash 310, Accessory Shoe 1 for OM-1 and Accessory Shoe 2 for OM-2, Remote Sensor with Cord, Auto Cord for OM-2, and Bounce Grip.

QUICK AUTO FLASH 310**“Camera Regulated” Flash**

- Most convenient, accurate, automatic flash exposure system
- Internal camera sensors measure flash in accordance with angle of acceptance of lens
- Operating range of 1 to 75 feet with ASA 100 film, f1.2 lens. (1 to 30 feet with ASA 25 film, f1.2 lens)

“Normal Automatic”

- Built-in computer automatically delivers exact amount of light needed
- Three automatic modes
- Maximum operating range of 2 to 28 feet
- Auto check light for pretesting exposures

“Normal Automatic” Specifications

Auto-f-stop Settings to Closest half-stop

ASA 25 film: f2, f2.8, f4

ASA 80 film: f3.5, f4.5, f6.5

ASA 160 film: f5.6, f8, f11

Sensor Measuring Angle 20°

General Specifications

Guide Numbers

ASA 25: 56 ASA 80: 100 ASA

160: 140

Recycle Time

12 seconds*—manual

0.5 to 12 seconds*—auto (depends on flash-to-subject distance)

0.5 to 6 seconds*—auto, with optional Bounce Grip and 4 “C” cell alkaline batteries

(auto recycling time depends on flash-to-subject distance)

*with fresh batteries

BCPS (Beam Candle Power Seconds)

2500 (manual)

Flash Duration (approximately)

1/1000 second (manual)

1/1000 to 1/40,000 second (automatic)

Color Temperature

5800° Kelvin

Angles of Illumination

53° vertical, 80° horizontal

Power Sources

Four 1.5v AA alkaline batteries

Four 1.5v C alkaline batteries

(Optional Bounce Grip)

NOTE: NiCad rechargeable batteries cannot be used

Flashes Per Power Source

Source	Auto	Manual (Full power)
AA alkaline batteries	*	120+
C alkaline batteries (optional Bounce Grip)	*	350+

*Number of flashes in auto mode will usually greatly exceed number in manual, depending on flash-to-subject distance, room reflectivity and auto f-stop used.

Camera/Flash Connections

Accessory Shoe 1 and 2,

Synch Cord 23.6" (0.6m),

Synch Cord 16.4' (5m), TTL Auto

Cord,

Remote Sensor (w/cord), Bounce

Grip

Weight Without Batteries

11.6 oz. (330g)

Dimensions

3 7/8" x 3 1/8" x 2 7/8" (99 x 80 x 73mm)

Other Features

- Guide number of 56 with ASA 25 film
- Recycles in 0.5 to 12 seconds
- Angle of illumination covers up to 28mm wide angle lens without using adapter
- Switch Dial provides exposure information and sets operating mode
- “High” and “Low” manual operation settings
- Energy-saving circuitry for faster recycling and more flashes per set of batteries

BOUNCE GRIP

In addition to serving as an adjustable flash holder for off-camera and bounce lighting, the Bounce Grip can also be used as an additional power supply (holds four 1.5v C alkaline batteries). Unit consists of grip and camera bracket with built-in synch cord for "manual" flash. Flash head can be tilted from -15° to +75°. Grip quickly detaches from bracket for aiming in any direction. Requires Auto Cord for "Camera Regulated Flash." Requires Remote Sensor with Cord for "Normal Auto" exposure control.

Note: NiCad rechargeable batteries cannot be used with this unit.

ORDERING INFORMATION

Bounce Grip
Stock No. 107-020



REMOTE SENSOR W/CORD

With 23.6" (0.6m) coil type cord. Makes possible off-camera and bounce flash with "Normal Auto" exposure control. Sensor unit attaches to camera hot shoe and connects to Quick Auto 310.

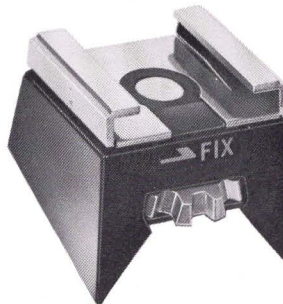
ORDERING INFORMATION

Remote Sensor with Cord

Stock No. 107-040



ACCESSORY SHOE 1



Threads directly onto pentaprism of OM-1 to provide secure, cordless hot shoe contact for electronic flash or flashbulb units.

ORDERING INFORMATION

Accessory Shoe 1
Stock No. 107-001

ACCESSORY SHOE 2

Attaches to top of OM-2 pentaprism, providing a secure hot shoe for cordless electronic flash and proper electronic connection to the through-the-lens camera regulated flash mechanism.



ORDERING INFORMATION

Accessory Shoe 2
Stock No. 107-002

AUTO FLASH CORD

For use with OM-2 cameras only. 23.6" (0.6m) coil type. Makes possible off-camera and bounce flash with "Camera Regulated Flash." Cord connects to Accessory Shoe 2 and Quick Auto 310.



ORDERING INFORMATION

Auto Flash Cord
Stock No. 107-062

SYNCH CORD 23.6" (0.6m)

For cameras without a hot shoe. Coil type, extendable from 11.8" to 23.6" (0.3m to 0.6m).

ORDERING INFORMATION

Synch Cord 23.6" (0.6m)
Stock No. 107-060

SYNCH CORD 16.4' (5m)

Extra long cord. Primarily for remote flash in "manual" operation.

ORDERING INFORMATION

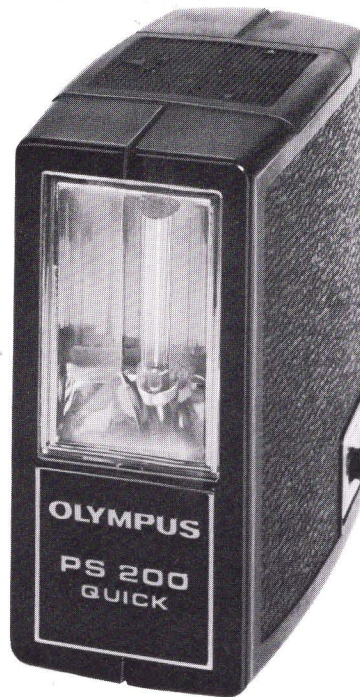
Synch Cord 16.4' (5m)
Stock No. 107-061

PS 200 QUICK ELECTRONIC FLASH

This exceptionally small, lightweight electronic flash is specially designed for use with the Olympus Compact Rangefinder Group or any camera with a cordless contact hot shoe. The PS 200 Quick delivers over 200 perfectly balanced 1/1000 second flashes, takes four 1.5-volt AA batteries, and has a guide number of 46 at ASA 100. Recycling time just 2.5 seconds. Weighing a mere 2.6 ounces, the PS 200 slips neatly into any shirt pocket.

ORDERING INFORMATION

PS 200 Quick Electronic Flash
Stock No. 107-101



POUCH FOR QUICK AUTO FLASH 310

The stylish, soft Pouch 200 provides essential lightweight protection for the Auto Quick Flash 310. Keeps body and dial surfaces gleaming and safe.

ORDERING INFORMATION
Pouch for Quick Auto Flash 310
Stock No. 108-371



F.AC ADAPTER

Alone or with Bounce Grip, the Auto Quick Flash 310 converts from battery power to normal household current with the F.AC Adapter. As a source of unlimited, economical power, this unit can mean considerable savings for the photographer who does a lot of shooting in the same indoor location.

ORDERING INFORMATION
F.AC Adapter
Stock No. 108-030